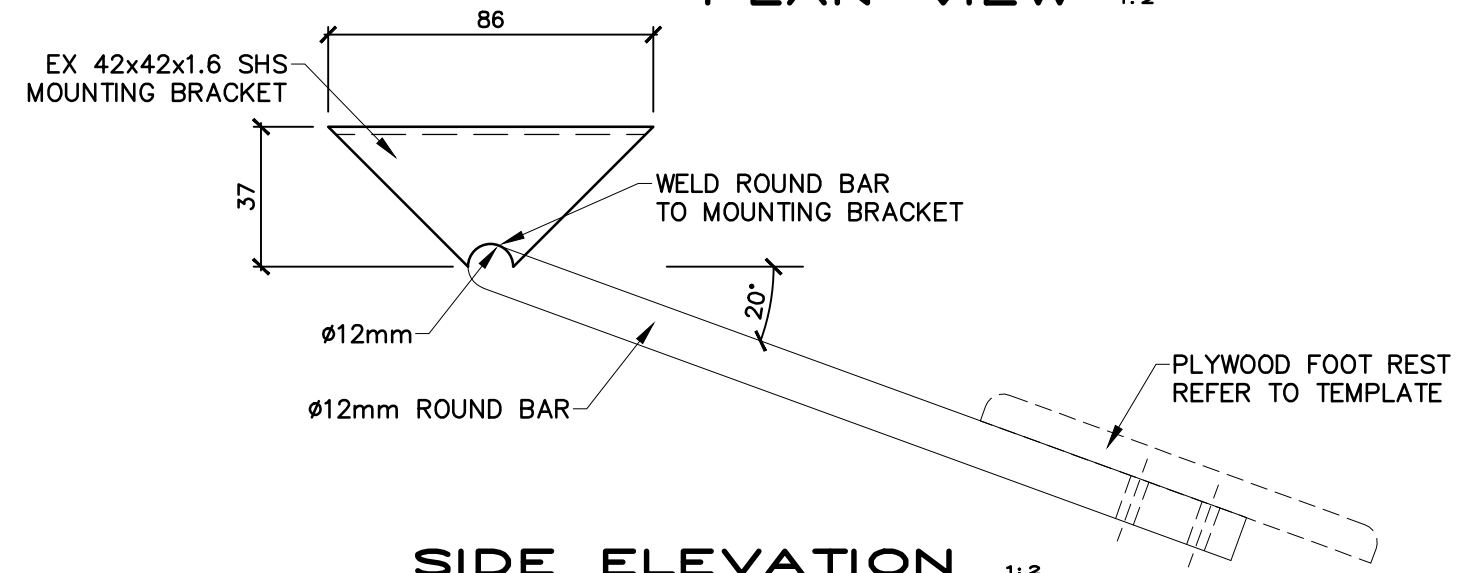
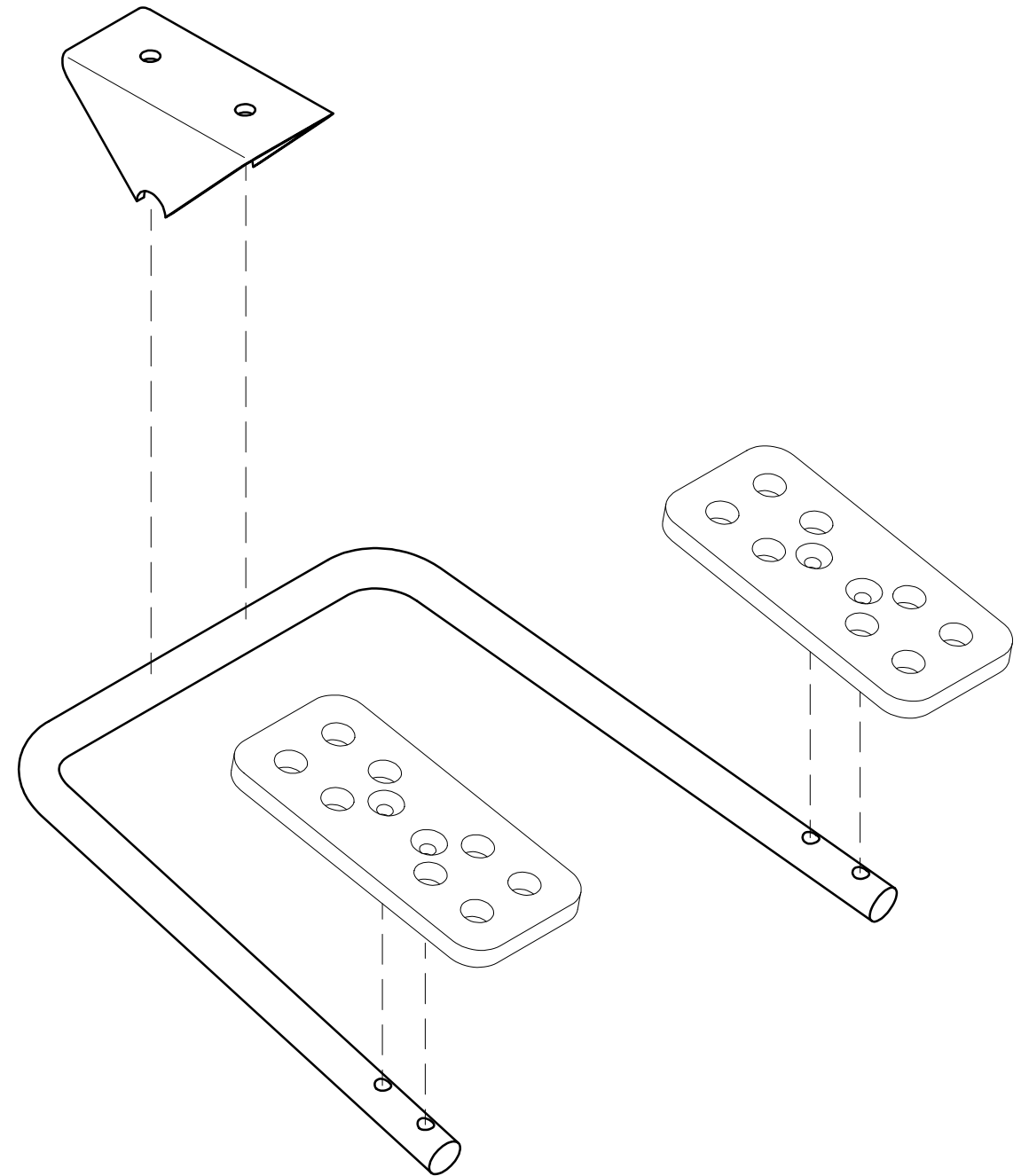


PLAN VIEW 1:2



SIDE ELEVATION 1:2



ISOMETRIC VIEW 1:2

DRAWING:			FOOT REST ASSEMBLY		DRAWN	T.S.	DATE	11.7.2015
DATE	REVISION	BY			DESIGN	T.S.	SCALE	1:2
PROJECT:			Thingiverse : Tez_Gelmir	twitter : Tez_Gelmir	14016		JOB No. 10	
SPEEDER BIKE ROCKER			Instructables : Tez_Gelmir	HACK A DAY : Tez_Gelmir				