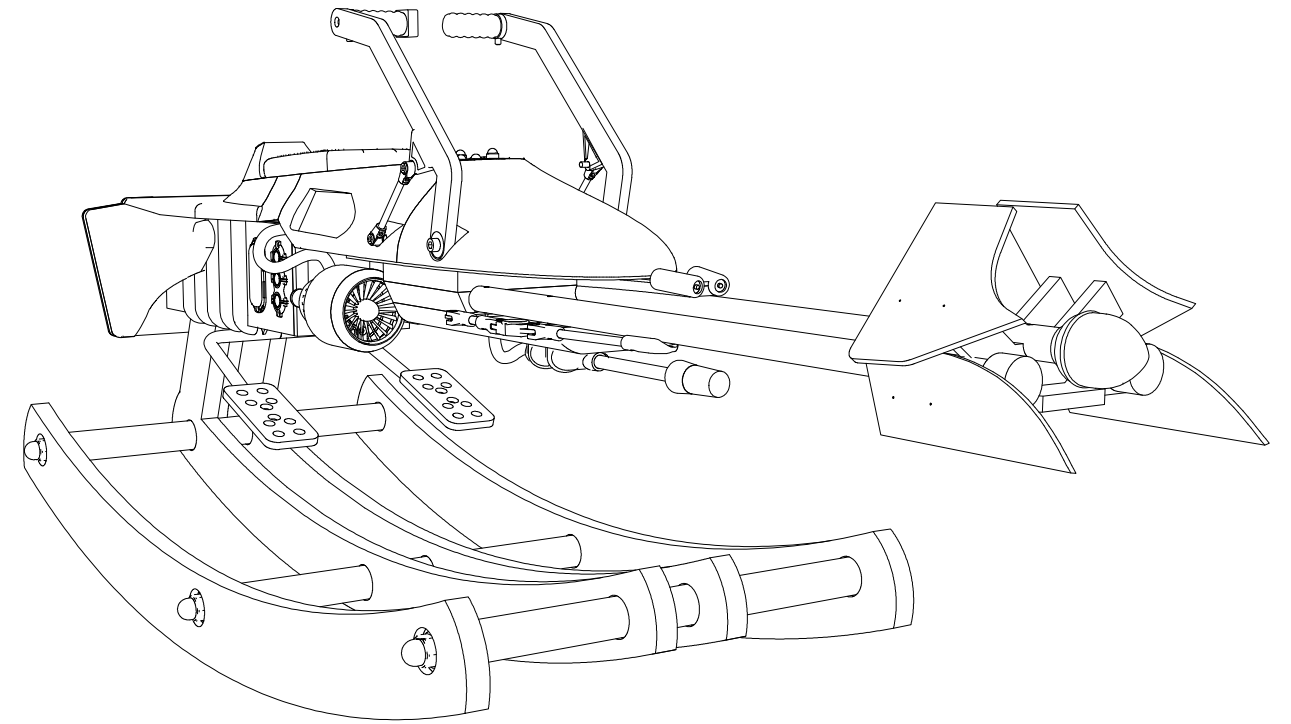
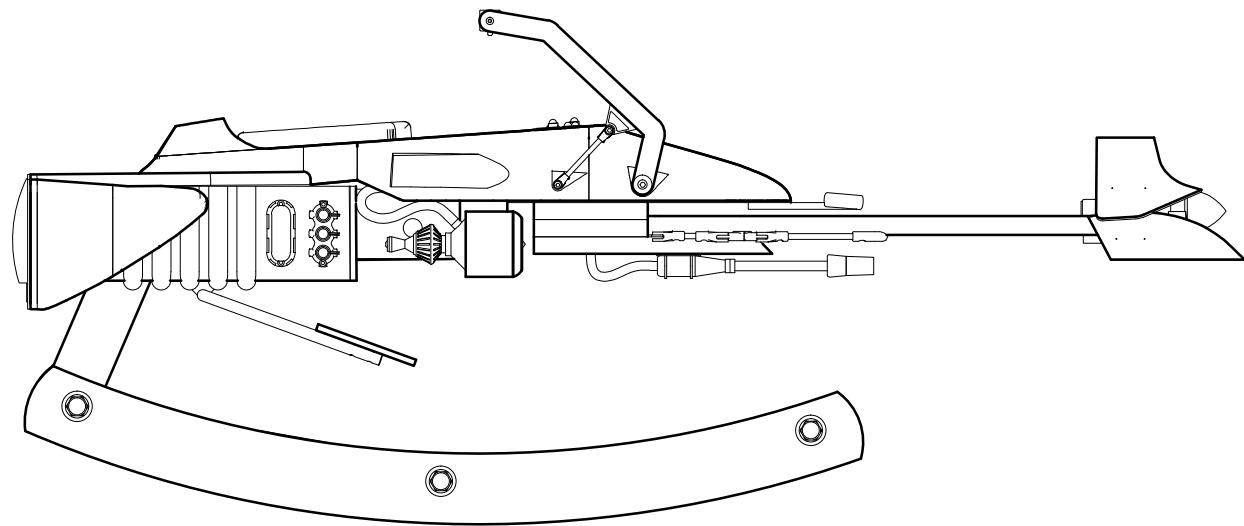


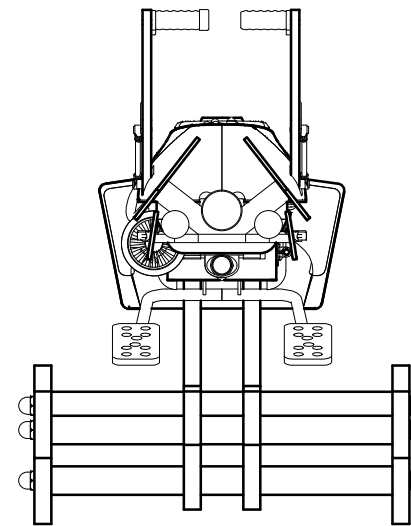
PLAN VIEW 1:5



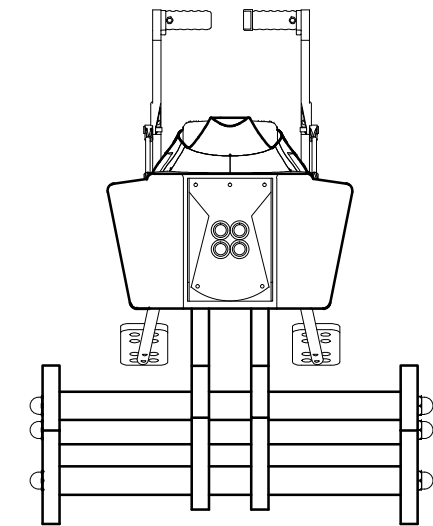
PERSPECTIVE VIEW N.T.S



FRONT ELEVATION 1:5



FRONT ELEVATION 1:5



REAR ELEVATION 1:5

			DRAWING: PLAN & ELEVATIONS		DRAWN: T.S.	DATE: 11.7.2015
DATE	REVISION	BY			DESIGN: T.S.	SCALE: 1:5
PROJECT: SPEEDER BIKE ROCKER			Thingiverse : Tez_Gelmir	twitter : Tez_Gelmir	JOB No. 14016	
			Instructables : Tez_Gelmir	HACK A DAY : Tez_Gelmir	DWG No. 01	