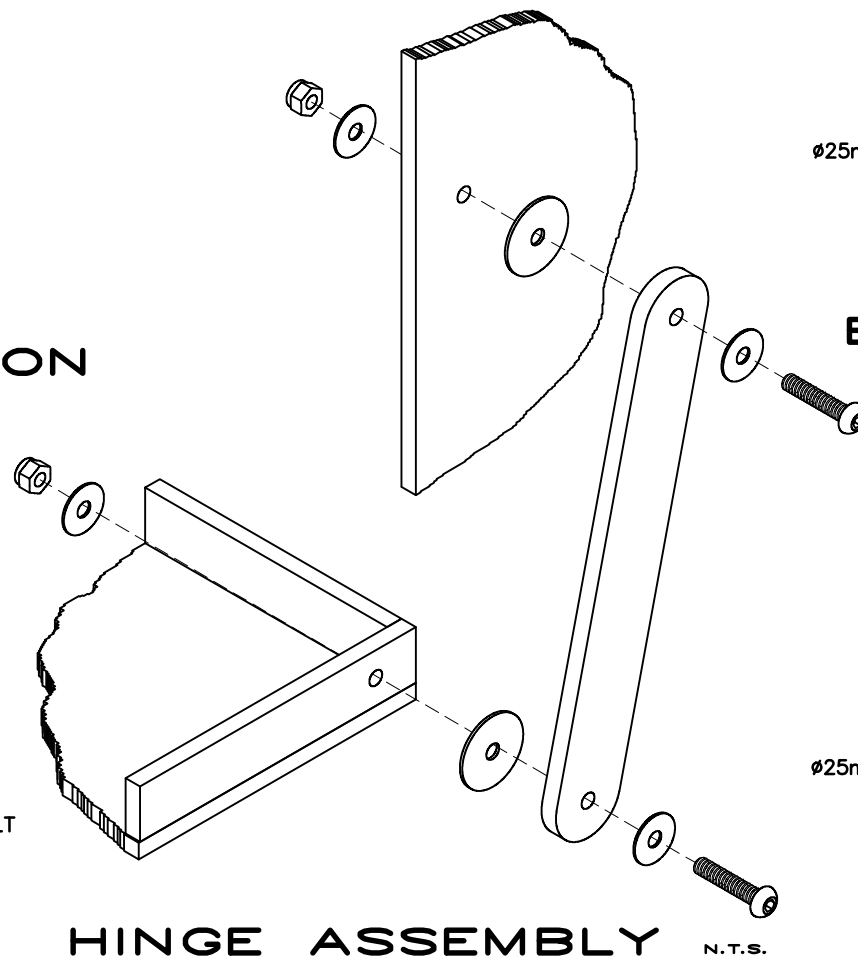
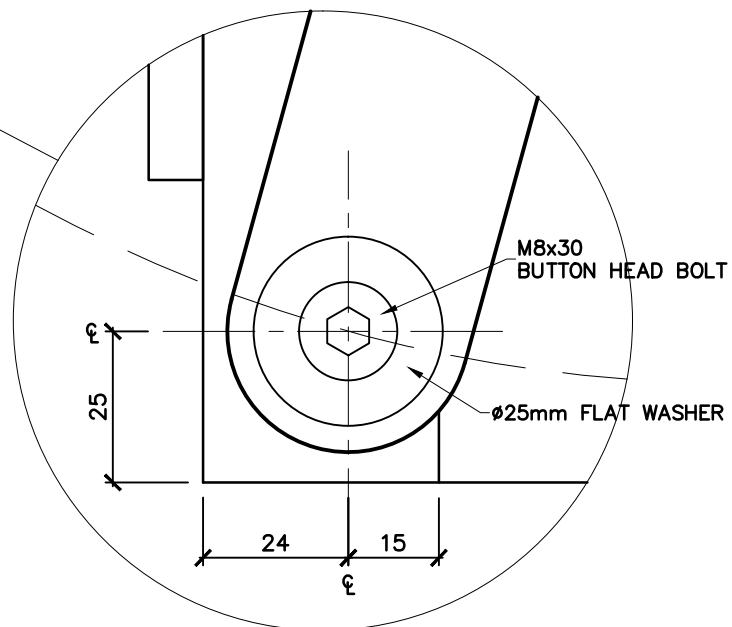
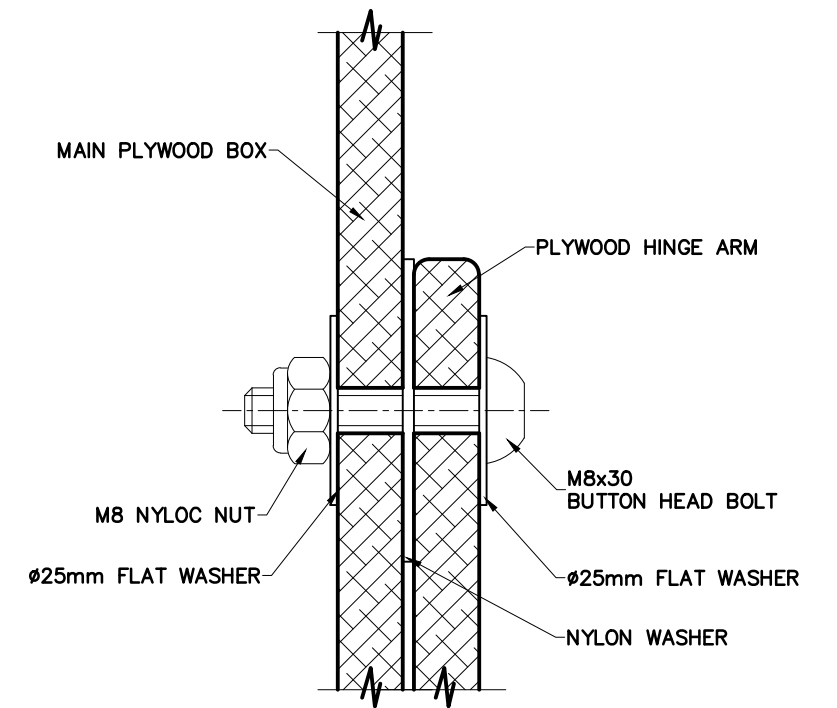


SIDE ELEVATION (TABLE UP) 1:5

SIDE ELEVATION (TABLE DOWN) 1:5



HINGE ASSEMBLY N.T.S.



BOX PIVOT DETAIL 2:1

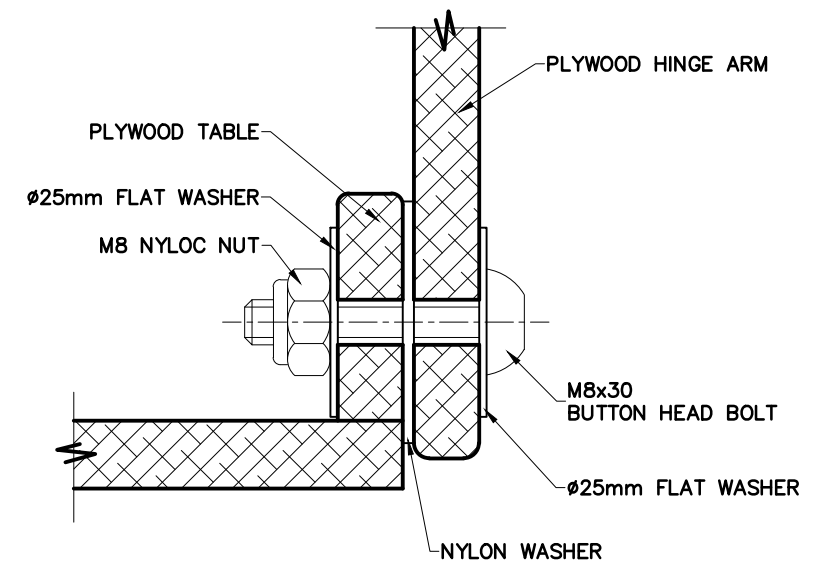


TABLE PIVOT DETAIL 2:1

DRAWING:			MAIN HINGE DETAIL		DRAWN	T.S.	DATE	19.1.2015
DATE	REVISION	BY			DESIGNED	T.S.	SCALE	1:5 2:1
PROJECT:			Thingiverse : Tez_Gelmir HACK A DAY : Tez_Gelmir		twitter : @Tez_Gelmir instructables : Tez_Gelmir		JOB No.	14013
PORTABLE LEGO CREATION STATION							DWG No.	06