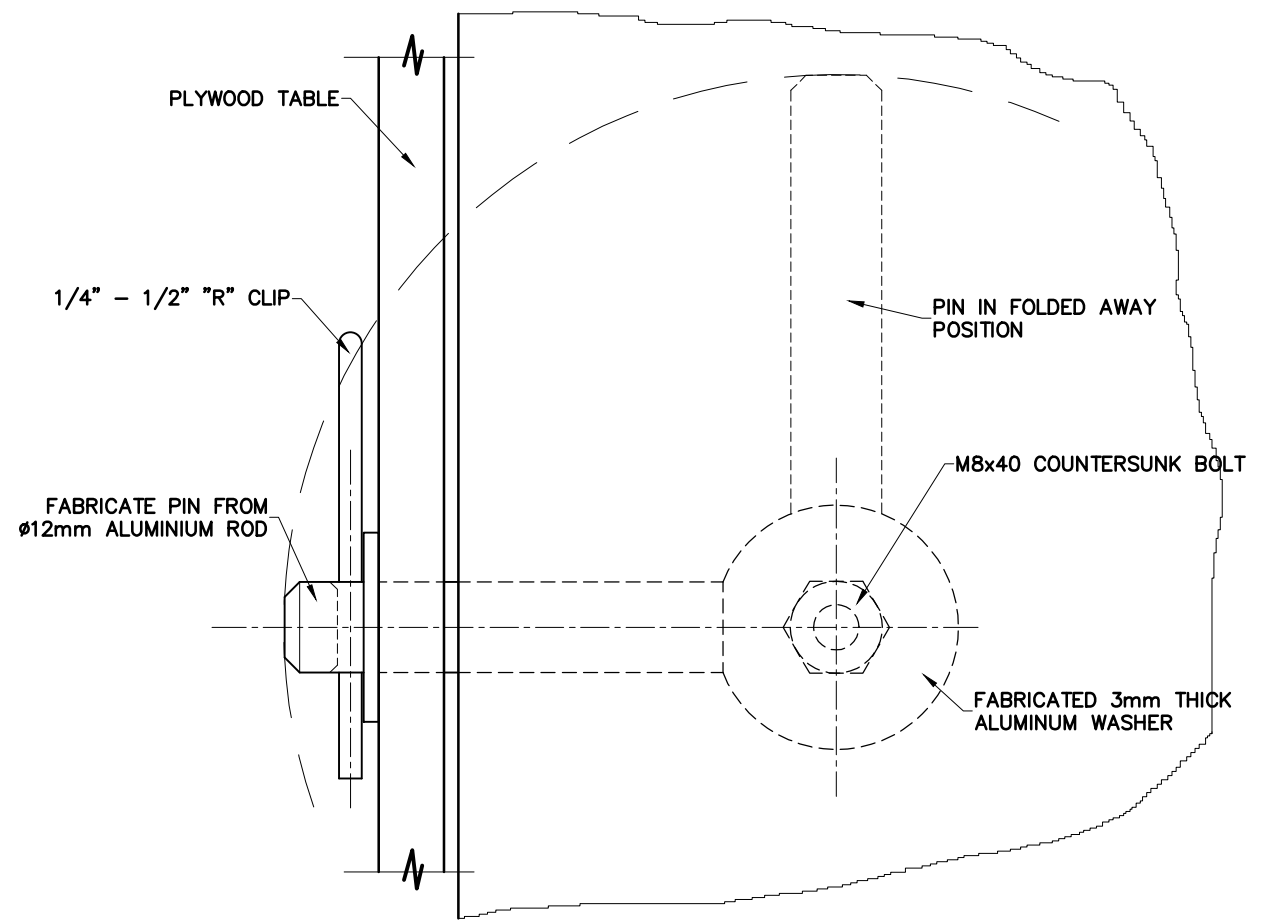


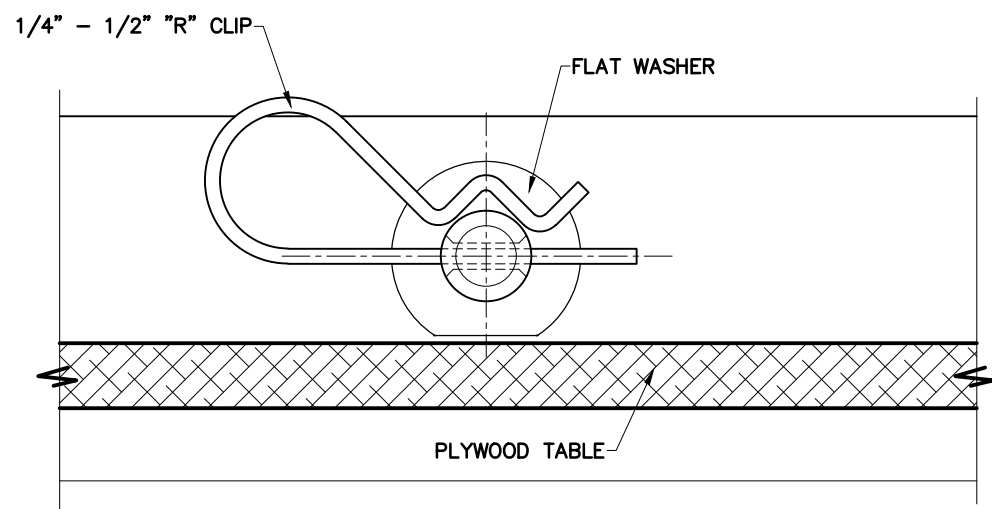
**PIN MOUNTING ASSEMBLY**

NTS



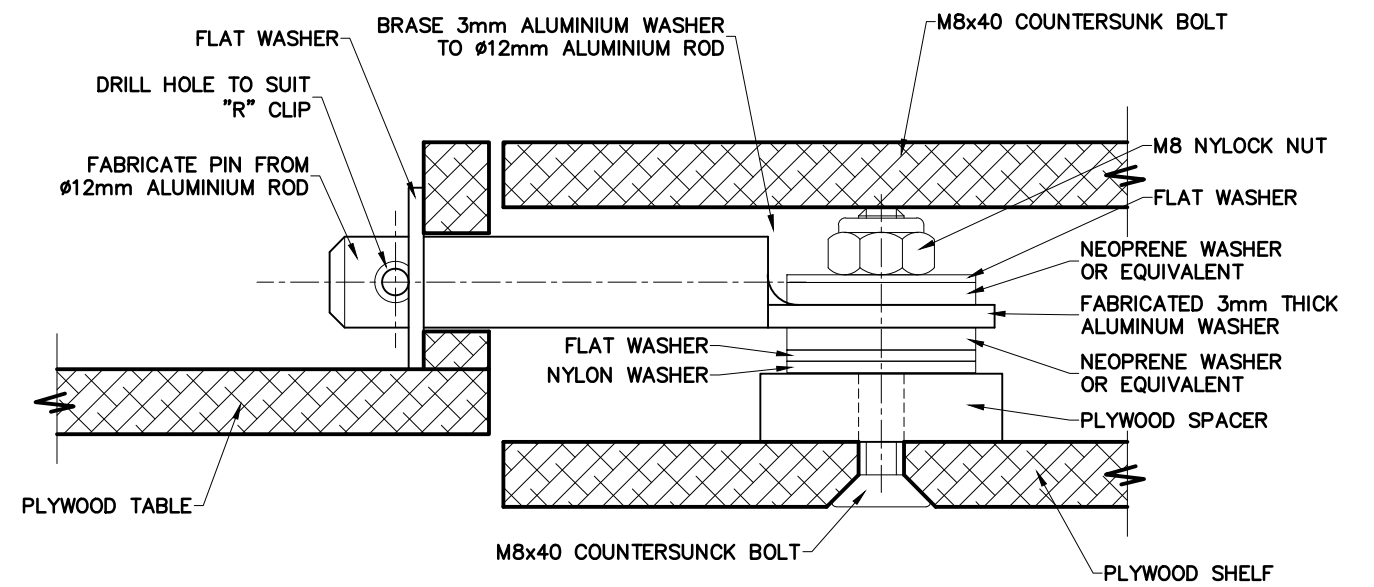
**PLAN VIEW**

2:1



**FRONT ELEVATION**

2:1



**SECTIONAL SIDE VIEW**

2:1

|   |  |  |  |  |                           |  |              |  |
|---|--|--|--|--|---------------------------|--|--------------|--|
| DRAWING:                                  |  |  | <b>FOLD AWAY TABLE<br/>RETAINER PIN DETAIL</b> |  | DRAWN                     |  | DATE         |  |
| DATE                                      |  |  | REVISION                                       |  | T.S.                      |  | 19.1.2015    |  |
| PROJECT:                                  |  |  | BY   |  | DESIGNED                  |  | SCALE        |  |
| <b>PORTABLE LEGO<br/>CREATION STATION</b> |  |  | Thingiverse: Tez_Gelmir                        |  | twitter: @Tez_Gelmir      |  | JOB No.      |  |
|   |  |  | HACK A DAY: Tez_Gelmir                         |  | instructables: Tez_Gelmir |  | <b>14013</b> |  |
|   |  |  |  |  |                           |  | DWG No.      |  |
|   |  |  |  |  |                           |  | <b>05</b>    |  |