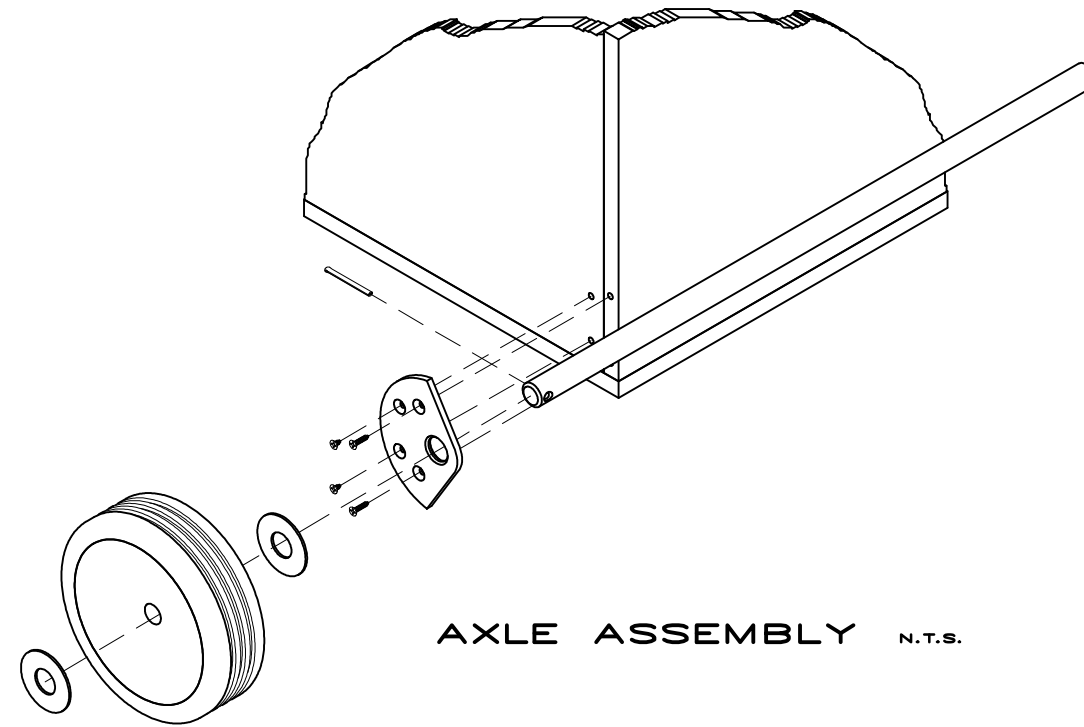
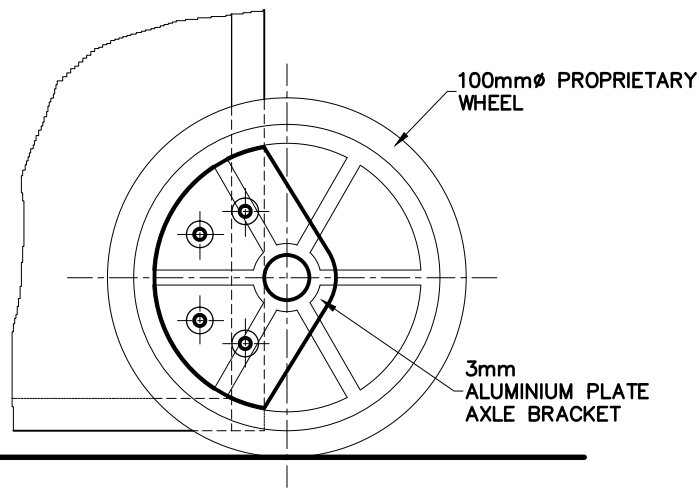


SECTIONAL PLAN VIEW 1:2



AXLE ASSEMBLY N.T.S.



SIDE ELEVATION 1:2

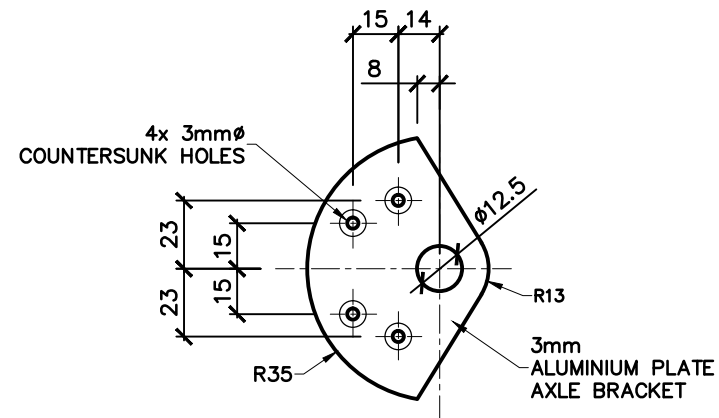


PLATE DETAIL 1:2

DRAWING: AXLE BRACKET DETAIL			DRAWN: T.S.	DATE: 19.1.2015
DATE	REVISION	BY	DESIGNED: T.S.	SCALE: 1:2
PROJECT: PORTABLE LEGO CREATION STATION		Thingiverse: Tez_Gelmir	twitter: @Tez_Gelmir	JOB No. 14013
		HACK A DAY: Tez_Gelmir	instructables: Tez_Gelmir	DWG No. 02