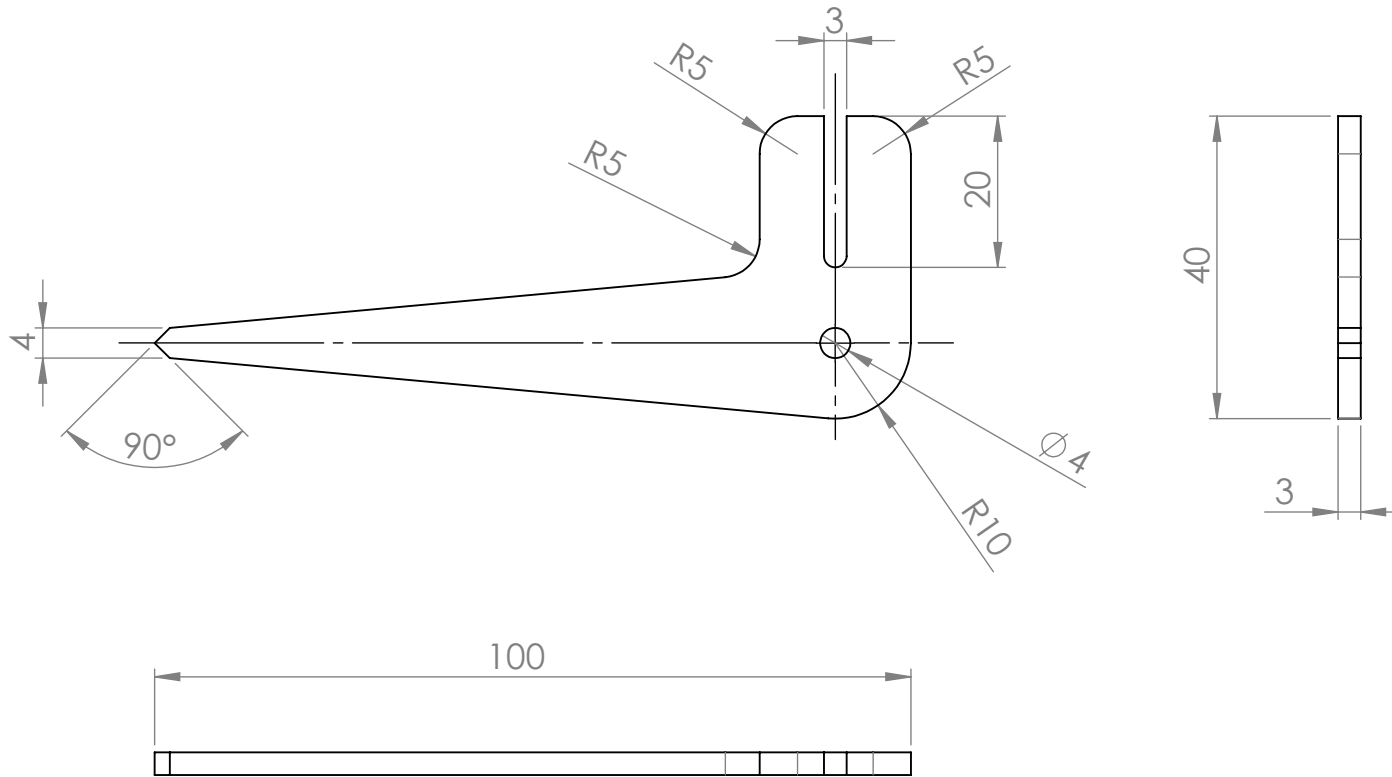


1

2

3

4



Main tolerances :  
 Geometrical : ISO 8015  
 Bended parts : NF E 86-050  
 Machining parts : ISO 2768 - mK  
 Surface roughness : 12,5 µm  
 Welded assembly : ISO 13920 CL-A

Project :		<b>WHEEL ALIGMENT TOOL</b>		
Title :		<b>Arrow</b>		
Reference :		<b>1037-JA</b>		Rev. <b>A</b>

A	20/05/2016	T. Le Bars	T. Le Bars	T. Le Bars	First emission
Rev.	Date	Designed	Checked	Approuved	Comments

	Material :	<b>ABS</b>	Finish / treatment :	<b>Raw</b>	Mass :	<b>0.0 kg</b>	Scale :	<b>1:1</b>	Frame <b>A4</b>
This is property of Tanguy Le Bars, any reproduction, copy, or use of this document without a written autorisation is deemed to a penal procede									