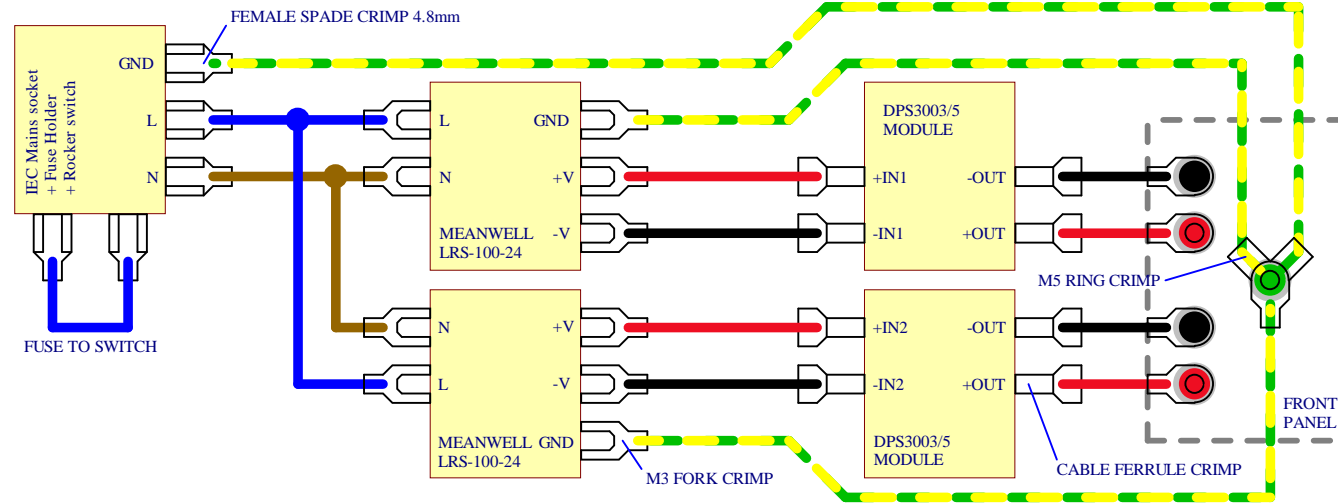


MODULAR PSU & SOLDERING STATION



WARNING!

Your are working with lethal voltages. Use caution and double check your wiring.

Use appropriate wire thickness.

Test before use.

BILL OF MATERIALS - MODULAR PSU & SOLDERING STATION

3D Printed Enclosure DPS3003/5	1	Quick connect Ring terminal M5	5
DPS3003/5 PSU module	2	Quick connect Fork terminal M3(3.2mm)	10
Meanwell LRS-100-24	2	Quick connect Spade/Female terminal 4.8mm	5
Front panel DPS3003/5 or T12 Soldering station	1	Cable ferrule for 1mm ² wire	8
AS-10[IEC320 C14] Socket	1	Screws M3x8mm Countersunk	8
BS-244DSM-R Red 4mm banana socket	2	Rubber feet 3M PN:7000001895	4
BS-244DSM-B Black 4mm banana socket	2		
BS-244DSM-G Green 4mm banana socket	1		
Stranded wire 1mm ² - Blue	1		
Stranded wire 1mm ² - Brown	1		
Stranded wire 1mm ² - Green/Yellow	1		
Stranded wire 1mm ² - Red	1		



ATLAS
ELEKTROMECHANIKA

Title:

Modular PSU & Soldering Station

Size: A4
Sheet: 1/2

Number: 100-1400

Date: 1/18/2021

Drawn by: Mile

IG: @mile264

Hackaday: Mile

YT: Mile Electronics