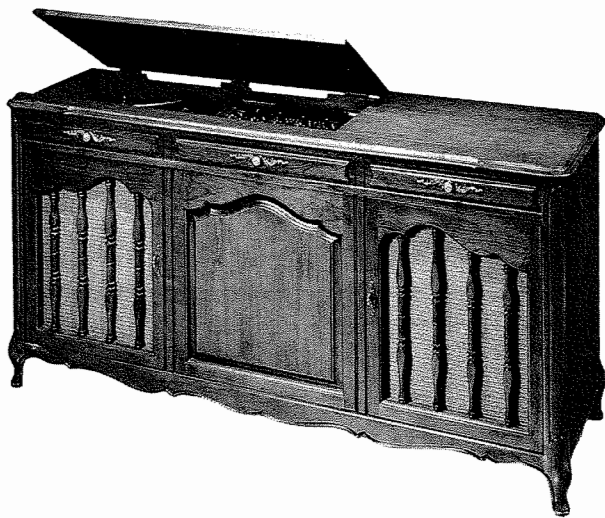


PHOTOFACT® Folder

SYLVANIA CHASSIS  
371-1, 422-1, 805-4, 805-5

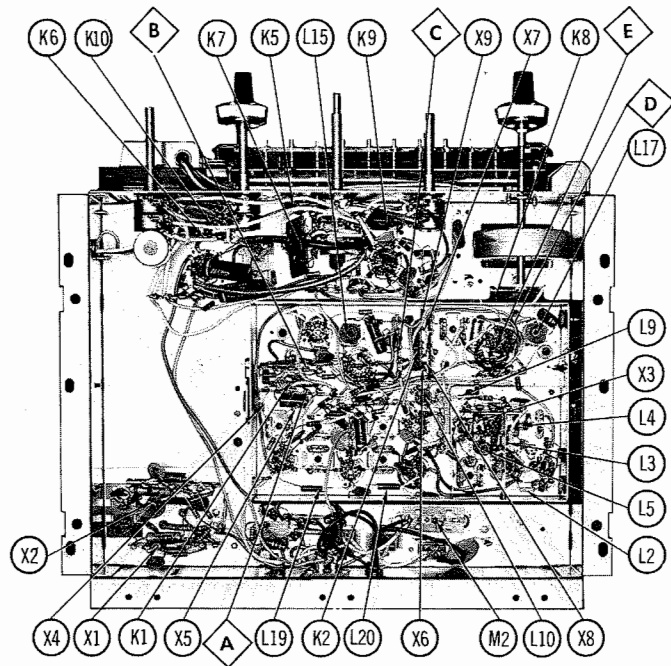


SYLVANIA CHASSIS  
371-1, 422-1, 805-4, 805-5

SYLVANIA CHASSIS  
371-1, 422-1, 805-4, 805-5

TRADE NAME:	Sylvania Models:	AM-FM Chassis:	Pre-Amp. Chassis:	Power Amp. Chassis:
	SC773 Series	371-1	805-4	422-1
	SC774 Series	371-1	805-4	422-1
	SC776 Series	371-1	805-4	422-1
	SC781 Series	371-1	805-4	422-1
	SC783 Series	371-1	805-4	422-1
	SC791 Series	371-1	805-5	422-1
	SC793 Series	371-1	805-5	422-1
SUPPLIER:	For Current Address, See Master Index.			
TYPE SET:	11 Tube AM-FM-FM Stereo Tuner, 2 Transistor Pre-Amp, 8 Transistor Stereo Amplifier W/4 Speed Automatic Record Changer.			
POWER SUPPLY:	105-120 Volts AC, 60 Cycles		RATING: 30 Watts, .6 Amp. @ 117 Volts AC (Less Motor)	
TUNING RANGE:	BROADCAST 540-1650KC		FREQ. MOD: 87.5-108.5MC	

FOR SERVICE INFORMATION ON RECORD CHANGER—SEE SIMILAR GARRARD CHANGER—PHOTOFACT SET 638, FOLDER 7.



HOWARD W. SAMS & CO., INC. Indianapolis 6, Indiana



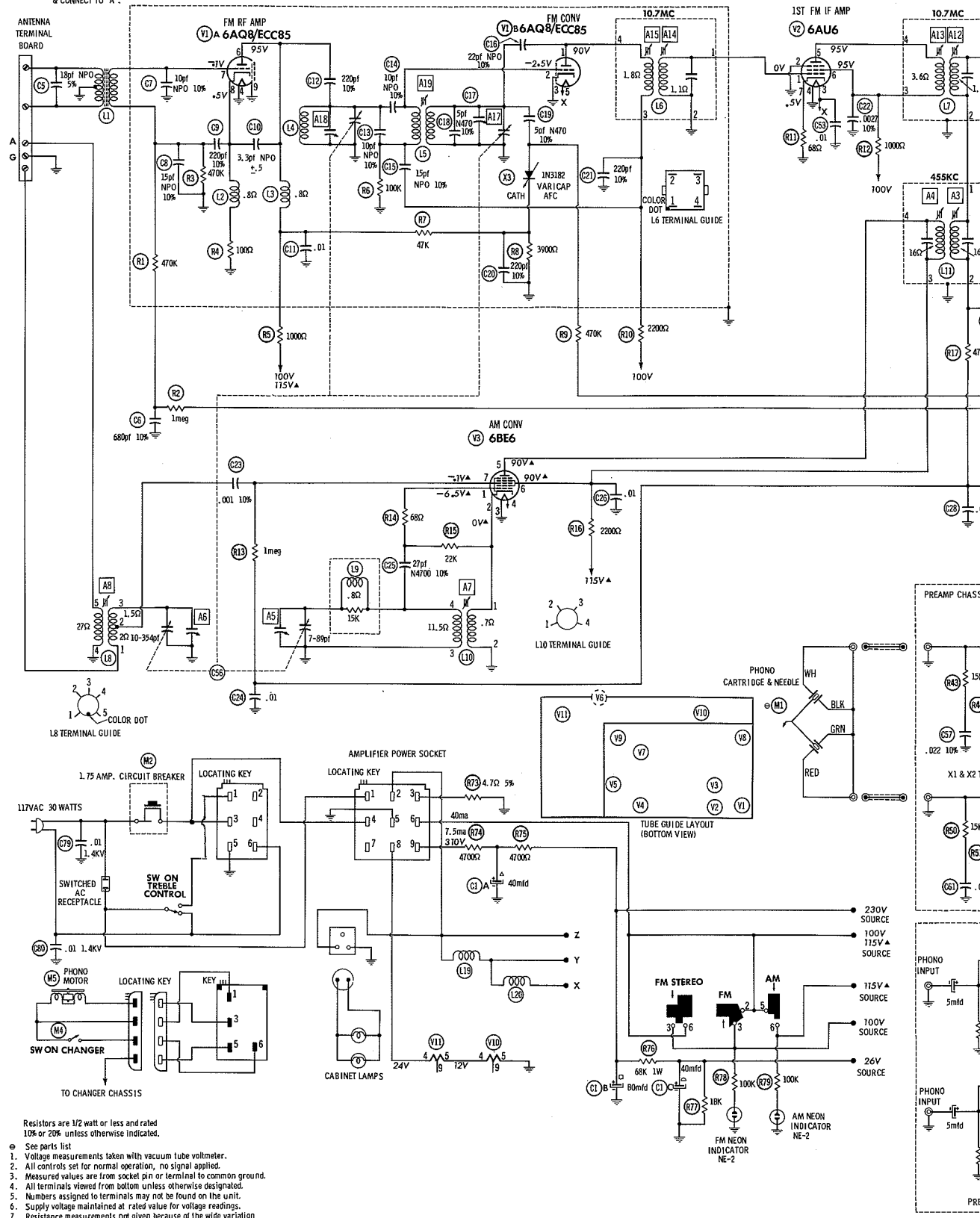
The listing of any available replacement part herein does not constitute in any case a recommendation, warranty or guaranty by Howard W. Sams & Co., Inc., as to the quality and suitability of such replacement part. The numbers of these parts have been compiled from information furnished to Howard W. Sams & Co., Inc., by the manufacturers of the particular type of replacement part listed. NN329

Reproduction or use, without express permission, of editorial or pictorial content, in any manner, is prohibited. No patent liability is assumed with respect to the use of the information contained herein. © 1966 Howard W. Sams & Co., Inc., Indianapolis 6, Indiana. Printed in U. S. of America

DATE 1-66 SET 793 FOLDER 10

SET 793 FOLDER 10

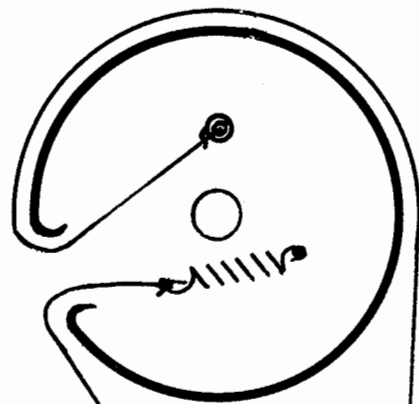
NOTE: SHORT "A" & "G" FOR  
INTERNAL ANTENNA.  
EXTERNAL ANT: REMOVE SHORT  
& CONNECT TO "A".



- Resistors are 1/2 watt or less and rated 10% or 20% unless otherwise indicated.
- See parts list
  - 1. Voltage measurements taken with vacuum tube voltmeter.
  - 2. All controls set for normal operation, no signal applied.
  - 3. Measured values are from socket pin or terminal to common ground.
  - 4. All terminals viewed from bottom unless otherwise designated.
  - 5. Numbers assigned to terminals may not be found on the unit.
  - 6. Supply voltage maintained at rated value for voltage readings.
  - 7. Resistance measurements not given because of the wide variation in internal resistance of transistor.

A PHOTOFAC STANDARD NOTATION SCHEMATIC  
© Howard W. Sams & Co., Inc. 1966

TUNING GANG FULLY CLOSED



SIDE VIEW

2 TURNS ON TUNING SHAFT

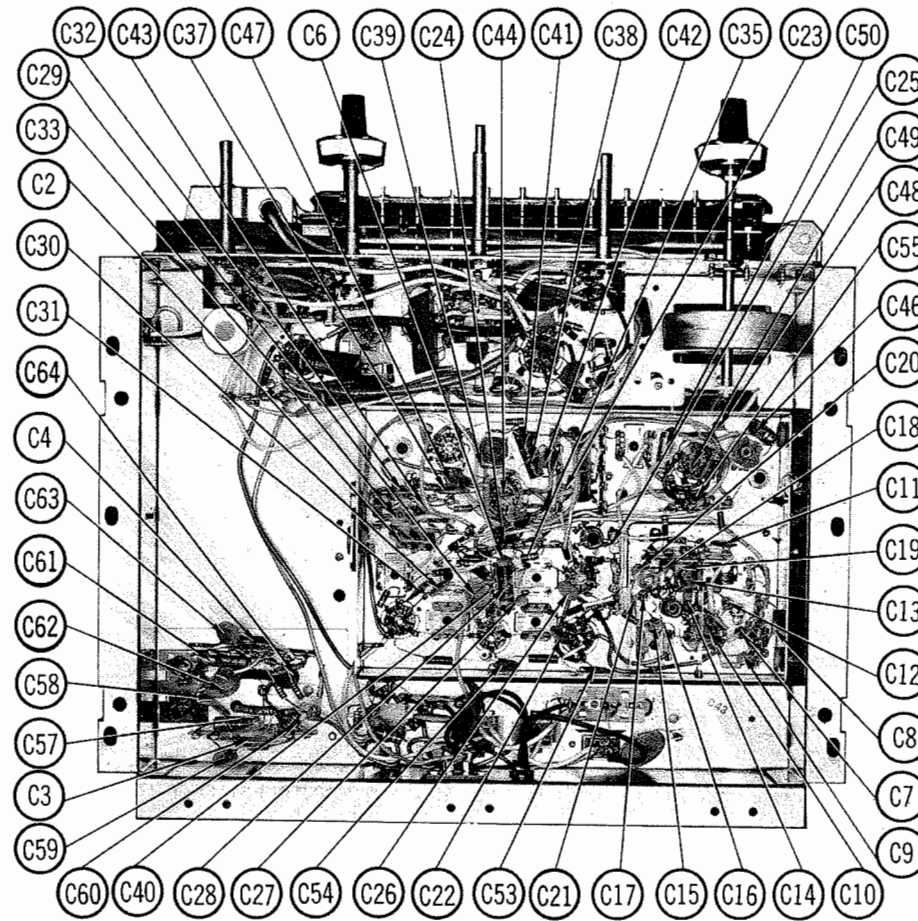
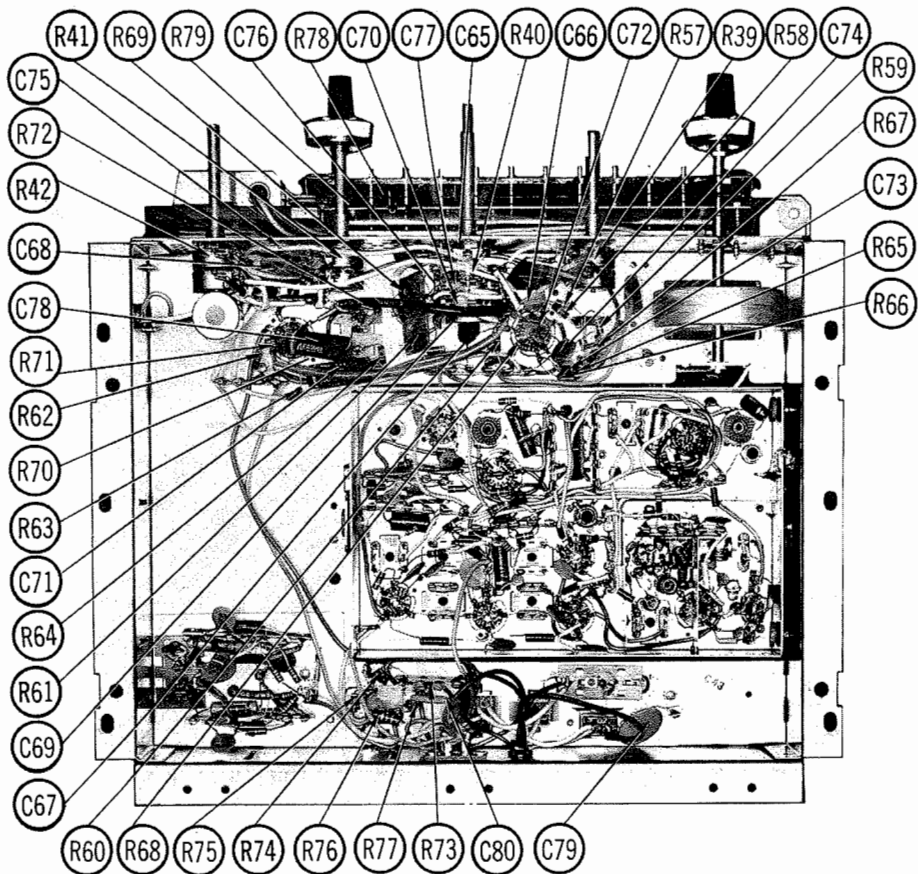


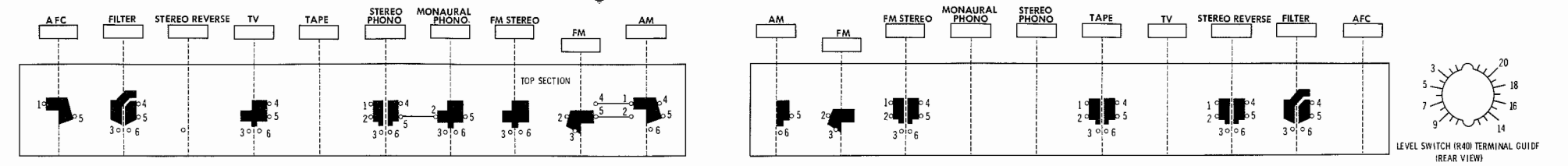
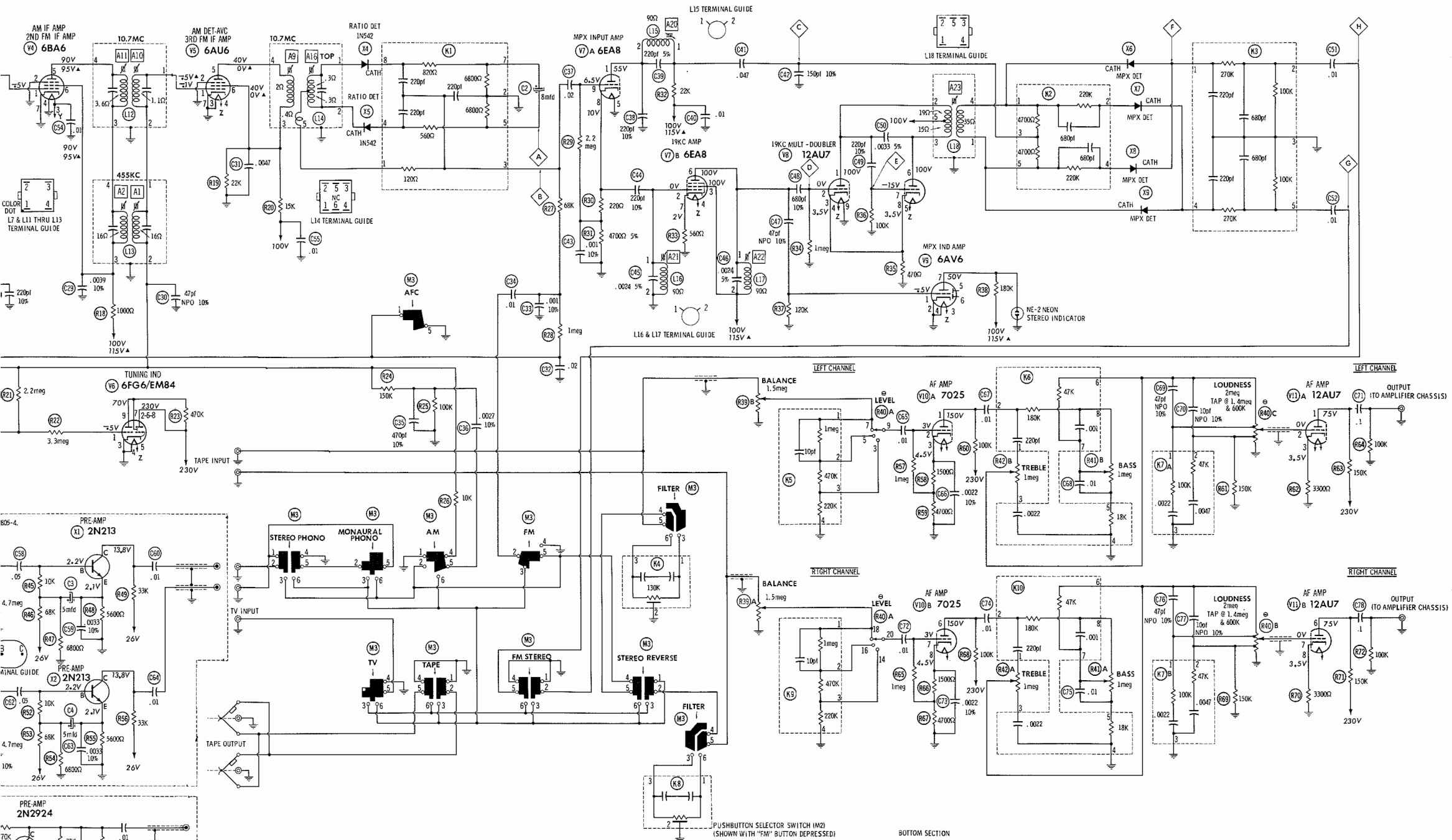
FRONT VIEW

DIAL CORD STRINGING

SYLVANIA CHASSIS  
371-1, 422-1, 805-4, 805-5

FOLDER 10





**RESISTANCE MEASUREMENTS**

ITEM	TUBE	Pin 1	Pin 2	Pin 3	Pin 4	Pin 5	Pin 6	Pin 7	Pin 8	Pin 9
V1	6BA6 ECC85	2200K ±	100K	0Ω	FIL	FIL	1000Ω ±	400K	100Ω	0Ω
V2	6AU6	1.1Ω	0Ω	FIL	FIL	1000Ω ±	1000Ω ±	680		
V3	6BE6	22K ±	.70 ±	FIL	FIL	2200Ω ±	2200Ω ±	3.4meg ±		
V4	6BA6	3.7meg	0Ω	FIL	FIL	1000Ω ±	1000Ω ±	0Ω		
V5	6AU6	250K ±	10K	0Ω	FIL	FIL	14K ±	14K ±	0Ω	

ITEM	TUBE	Pin 1	Pin 2	Pin 3	Pin 4	Pin 5	Pin 6	Pin 7	Pin 8	Pin 9
V6	6FG6 EM84	6.5meg	NC	0Ω	FIL	FIL	9600Ω ±	500K ±	NC	500K ±
V7	6EAB	22K ±	90Ω	0Ω ±	FIL	FIL	90Ω ±	560Ω	4900Ω	2.2meg
V8	12AU7	190 ±	1meg	470Ω	FIL	FIL	15Ω ±	100Ω	470Ω	0Ω
V9	6AV6	120K	0Ω	FIL	FIL	NC	NC	180K ±		
V10	7025	105K ±	1meg	6200Ω	FIL	FIL	105K ±	1meg	6200Ω	NC
V11	12AU7	155K ±	30K	3300Ω	FIL	FIL	155K ±	30K	3300Ω	NC

† MEASURED FROM PIN 6 OF POWER AMP SOCKET.  
 ‡ MEASURED FROM PIN 9 OF POWER AMP SOCKET.  
 ▲ MEASURED IN "AM" POSITION.  
 ■ NO CONNECTION.  
 ALL MEASUREMENTS TAKEN IN "FM" POSITION UNLESS OTHERWISE DESIGNATED.

**SYLVANIA CHASSIS**  
**371-L, 805-4, 805-5**

CHASSIS 805-5 USED IN SOME VERSIONS.

# ALIGNMENT INSTRUCTIONS

Maintain line voltage at 117 volts. Use only enough generator output to obtain a suitable indication. Allow a 15 minute warmup for receiver and equipment.  
**CAUTION:** Use isolation transformer, if available. If not, observe polarity when connecting test equipment.  
**Suggested Alignment Tools:**  
 A1 thru A4, A7 thru A16, A19 thru A23. GENERAL CEMENT: 8806, 8806L, 8869 WALSCO: 2543, 2544, 2588  
 A5, A6, A17, A18. GENERAL CEMENT: 8868, 8987, 9089 WALSCO: 2531-X, 2541, 2587

## AM ALIGNMENT - SELECTOR IN AM POSITION

Fashion loop of several turns of wire and connect generator across loop. Set volume control at maximum.

GENERATOR FREQUENCY	DIAL SETTING	INDICATOR	ADJUST	REMARKS
1. 455KC (400v Mod.)	Tuning gang fully open.	Output Meter across Voice coil.	A1, A2, A3, A4.	Adjust for maximum. Repeat until no further improvement can be made.
2. 1650KC	"	"	A5.	Adjust for maximum.
3. 1400KC	Tune to signal.	"	A6.	"
4. 600KC	"	"	A7, A8.	Rock tuning gang and adjust for maximum. Repeat steps 2 thru 4 until no further improvement can be made.

## FM ALIGNMENT USING AM SIGNAL GENERATOR - SELECTOR IN FM POSITION

High side to ungrounded shield over FM converter tube, low side to ground.

GENERATOR FREQUENCY	DIAL SETTING	INDICATOR	ADJUST	REMARKS
5. 10.7MC (Unmod.)	Point of non-interference.	DC probe of VTVM to point $\Delta$ ; common to ground.	A9, A10, A11, A12, A13, A14, A15.	Adjust for maximum.
6. "	"	DC probe to point $\Delta$ ; common to ground.	A16.	Adjust for zero reading. A positive or negative reading will be obtained on either side of the correct setting.

## FM IF ALIGNMENT USING FM SIGNAL GENERATOR - SELECTOR IN FM POSITION

High side to ungrounded shield over FM converter, low side to ground. Use only enough marker signal to obtain indication. Use 60v frequency modulated signal with 450KC sweep. Use 120v sawtooth voltage in scope for horizontal deflection.

GENERATOR FREQUENCY	DIAL SETTING	INDICATOR	ADJUST	REMARKS
5. 10.7MC (450KC Swp.)	Point of non-interference	Vert. amp. of Scope to point $\Delta$ ; low side to ground.	A9, A10, A11, A12, A13, A14, A15.	Disconnect stabilizing capacitor C 2. Adjust for maximum gain and symmetry of response similar to Fig. 1 with marker as shown. Reconnect C 2.
6. "	"	Vert. amp. to point $\Delta$ ; low side to ground.	A16.	Adjust A16 (Secondary) to place marker at center of crossover lines similar to Fig. 2. Adjust A 9 (Primary) for maximum amplitude and straightness of crossover lines.

## FM RF ALIGNMENT

Connect generator across antenna terminals with 120 $\Omega$  carbon resistors in series with each lead.

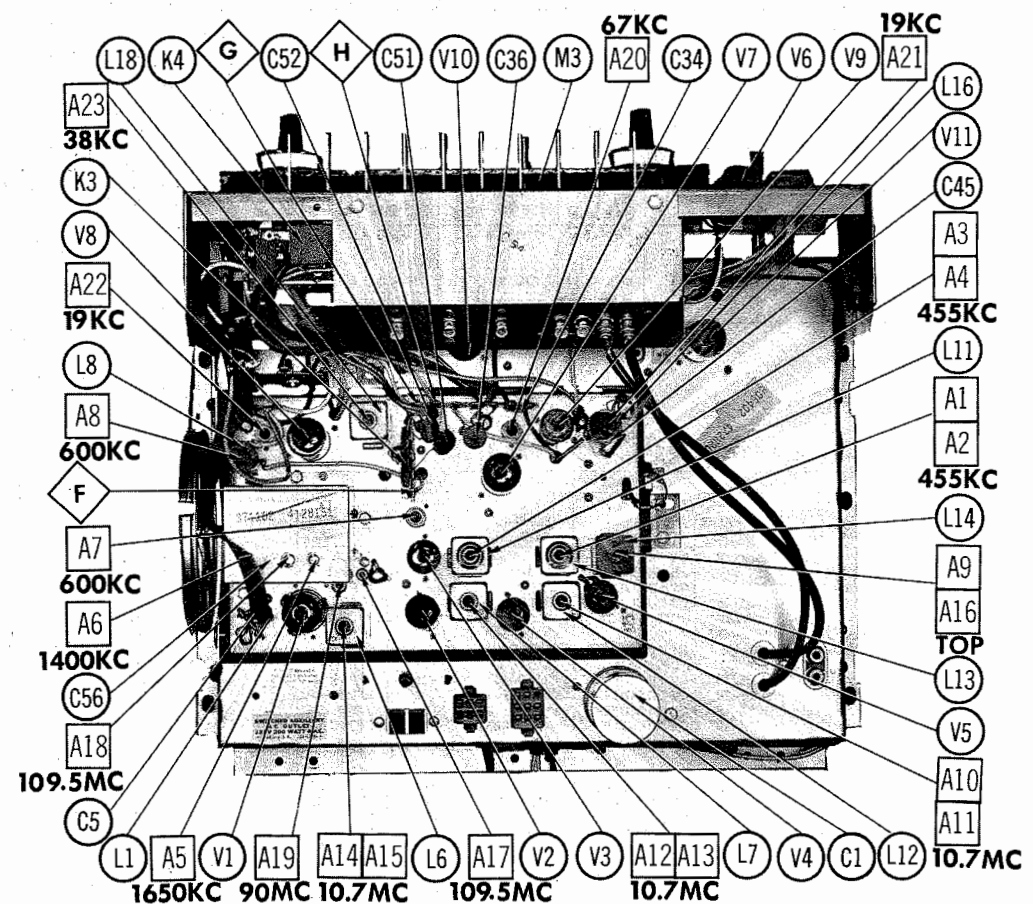
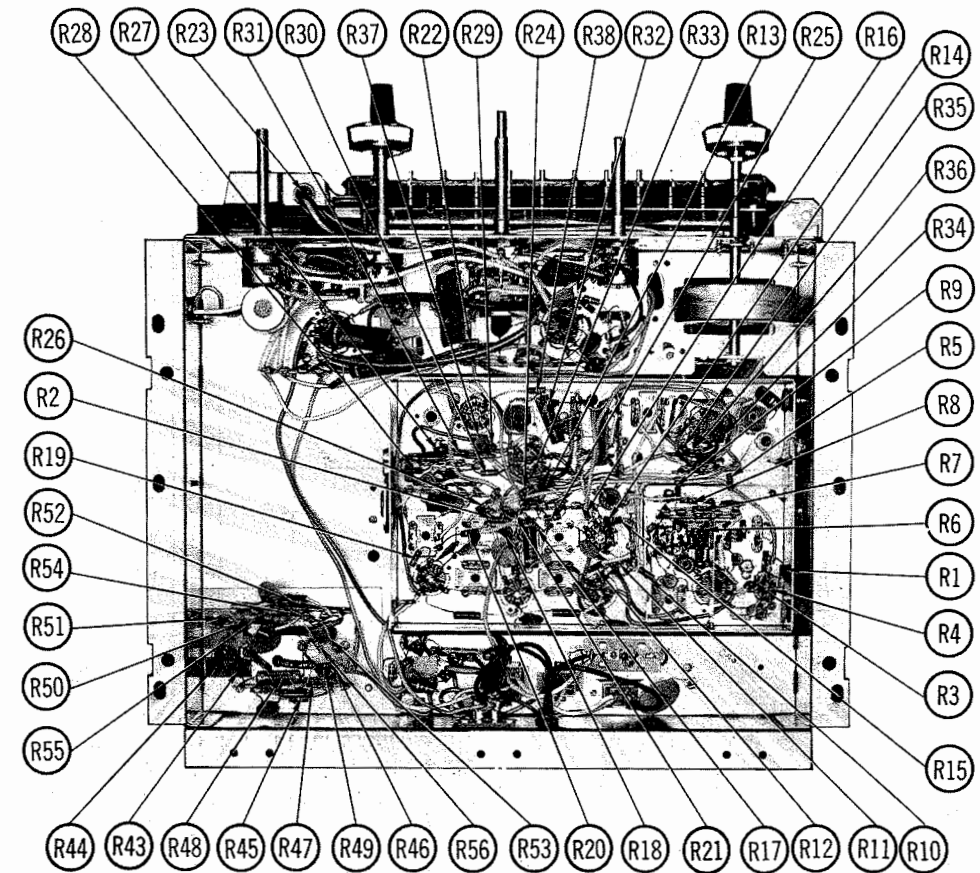
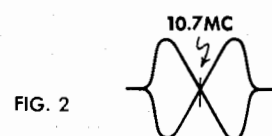
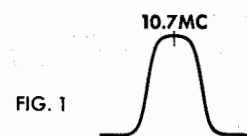
GENERATOR FREQUENCY	DIAL SETTING	INDICATOR	ADJUST	REMARKS
7. 109.5MC	Set at high end.	DC probe of VTVM to point $\Delta$ ; common to ground.	A17, A18.	Adjust for maximum.
8. 90MC	Tune to signal.	"	A19.	Rock tuning and adjust for maximum. Repeat steps 7 and 8 until no further improvement can be made.

## FM STEREO MULTIPLEX ALIGNMENT USING FM STEREO SIGNAL GENERATOR ( $\pm .0001\%$ ACCURACY)

Connect high side of generator to point  $\Delta$ , low side to ground.

GENERATOR FREQUENCY	INDICATOR	ADJUST	REMARKS
9. 67KC	Vert. amp. of Scope thru a 1 meg to point $\Delta$ ; low side to ground.	A20.	Adjust for MINIMUM.
10. 19KC	Vert. amp. thru 47K to point $\Delta$ ; low side to ground.	A21, A22.	Adjust for maximum.
11. "	Vert. amp. thru 47K to point $\Delta$ ; low side to ground.	A23.	Connect a clip lead from point E, to ground. Adjust for Maximum Deflection.
12. Modulated Left Channel	Vert. amp. to point $\Delta$ ; low side to ground.	A21, A22, A23.	Adjust for Minimum.
13. Modulated Right Channel	Vert. amp. to point $\Delta$ ; low side to ground.		Check for Minimum. Make compromise adjustments, if necessary, of A21, A22, A23.

To align multiplex section using an air signal, first make sure FM section is properly aligned. Tune in a strong FM stereo signal. Follow steps 9 thru 13 above, except in step 9 adjust to eliminate whistle or interference.



371-1, 422-1, 805-4, 805-5  
 PENNSYLVANIA CHASSIS

FOLDER 10

# TUNER PARTS LIST AND DESCRIPTION

(When ordering parts, state Model, Part Number, and Description.)

## TUBES

* AMPEREX *		GENERAL ELECTRIC		* RCA *		* SYLVANIA *	
ITEM No.	USE	TYPE	ITEM No.	USE	TYPE	ITEM No.	USE
V1	FM RF Amp-FM Conv.	6AQ6/ECC85	V6	Tuning Ind.	6FG6/EM84		
V2	1st. FM IF Amp.	6AU6	V7	MPX Input Amp. -19KC	6EA8		
V3	AM Conv.	6BE6	V8	19KC Mult-Doubler	12AU7		
V4	AM IF Amp. -2nd. FM IF Amp.	6BA6	V9	MPX Ind. Amp.	6AV6		
V5	AM Det-AVC-3rd. FM IF Amp.	6AU6	V10	AF Amp.	7025		
			V11	AF Amp.	12AU7		

## TRANSISTORS

ITEM No.	ORIG. TYPE	USE	REPLACEMENT DATA			NOTES
			DELCO PART No.	GENERAL ELECTRIC PART No.	RCA PART No.	
X1	2N213	Pre-Amp.		GE-8	SK3010	NPN
X2	2N213	Pre-Amp.		GE-8	SK3010	NPN

## POWER RECTIFIERS & SIGNAL DIODES

ITEM No.	MEASURED CURRENT	ORIGINAL Part or Type No.	RECTIFIERS				DIODES
			GENERAL ELECTRIC PART No.	MALLORY PART No.	RCA PART No.	SARKES TARZIAN PART No.	
X3		1N3182 (Varicap)					1N60
X4		1N542					1N60
X5		1N542					1N295
X6		624-0011					1N295
X7		624-0011					1N295
X8		624-0011					1N295
X9		624-0011					1N295

## ELECTROLYTIC CAPACITORS

ITEM No.	RATING		SYLVANIA PART No.	REPLACEMENT DATA				
	CAP.	VOLT.		AEROVOX PART No.	CORNELL-DUBILIER PART No.	GENERAL ELECTRIC PART No.	MALLORY PART No.	SPRAGUE PART No.
C1A	40	350	41-10372-1	AFH3-154-30	CC1103	XC3-45	FP378.4	TVL-3641.5
C1B	80	350						
C2	40	200						
C3	8	25	161-1089	PTT78	NLW8-25	MT1-5	TT25X8	TL-1203.5
C4	5	12	41-10004-5	CRE404A	NLW5-15	MT1-3	TT12X5	TE-1127
C4	5	12	41-10004-5	CRE404A	NLW5-15	MT1-3	TT12X5	TE-1127

## CAPACITORS

ITEM No.	RATING	REMARKS	REPLACEMENT DATA						
			AEROVOX PART No.	CENTRALAB PART No.	CORNELL-DUBILIER PART No.	ELMENCO PART No.	MALLORY PART No.	SPRAGUE PART No.	
C5	18 NPO 5%		DI-680	DD-661	CY601CG180J	CCD-681	JF368	CN0418	10TCC-Q18
C6	680 NPO 10%		NPO-DI10	DTZ-10	CZ601CG100K	CCTO-100	CN0410	CN0410	10TCC-Q10
C7	10 NPO 10%		NPO-DI15	DTZ-15	C7601CG150K	CCTO-150	CN0415	CN0415	10TCC-Q15
C8	15 NPO 10%		DI-220	DD-221	JB601YP221K	CCD-221	JF220	CN0533	10TCC-V33
C9	220 NPO 10%		NPO-DI3.3	DTZ-3R3		CCTO-3R3			10TCC-V33
C10	3.3 NPO ±.5		BPD-01	DD-103	BYV102ZU103M	CCD-103	B110	B110	5HK-S10
C11	.01		DI-220	DD-221	JB601YP221K	CCD-221	JF220	CN0410	10TCC-Q10
C12	220 NPO 10%			DTZ-10	CZ601CG100K	CCTO-100	CN0410	CN0410	10TCC-Q10
C13	10 NPO 10%			DTZ-15	C7601CG150K	CCTO-150	CN0415	CN0415	10TCC-Q15
C14	10 NPO 10%			DTZ-22	CY601CG220K	CCTO-220	CN0422	CN0422	10TCC-Q22
C15	15 NPO 10%								
C16	22 NPO 10%								
C17		#42-14578-1							
C18	5 N470 10%								10TCT-V50
C19	5 N470 10%								10TCT-V50
C20	220 NPO 10%		DI-220	DD-221	JB601U221K	CCD-221	JF220	CN0410	10TCC-Q10
C21	220 NPO 10%		DI-220	DD-221	JB601U221K	CCD-221	JF220	CN0410	10TCC-Q10
C22	.0027 NPO 10%		DI-2700	CPR-2700J	CD19F272K500	CCD-272	JF227	CN0410	10TCC-Q10
C23	.001 NPO 10%		DI-1000	DD-102	JBS601YP102K	CCD-102	JF210	B110	5HK-S10
C24	.01 NPO 10%		BPD-01	DD-103	BYV102ZU103M	CCD-103	B110	B110	5HK-S10
C25	.27 N4700 10%								
C26	.01 NPO 10%		BPD-01	DD-103	BYV102ZU103M	CCD-103	B110	B110	5HK-S10
C27	220 NPO 10%		DI-220	DD-221	JB601U221K	CCD-221	JF220	CN0410	10TCC-Q10

## CAPACITORS (cont)

ITEM No.	RATING	REMARKS	REPLACEMENT DATA					
			AEROVOX PART No.	CENTRALAB PART No.	CORNELL-DUBILIER PART No.	ELMENCO PART No.	MALLORY PART No.	SPRAGUE PART No.
C28	.047 200V		P288N-047	DD-503	PM2847	4DP-3-473	PVC2147	2TM-S47
C29	.0039 NPO 10%		DI-3900	CF-392	CD19F392K500	CCD-392	JF239	10TS-D39
C30	47 NPO 10%		NPO-DI47	DTZ-47	CX601CG470K	CCTO-470	CN0447	10TCC-Q47
C31	.0047		BPD-0047	DD-472	BYX601ZU472P	CCD-472	B247	5HK-D47
C32	.02		BPD-02	DD-203	BYT601ZU203Z	CCD-203	B120	5HK-S20
C33	.001 NPO 10%		DI-1000	DD-102	JBS601YP102K	CCD-102	JF210	10TS-D10
C34	.01		BPD-01	DD-103	BYV102ZU103M	CCD-103	B110	5HK-S10
C35	470 NPO 10%		DI-470	DD-471	JB601YP471K	CCD-471	JF347	10TS-T47
C36	.0027 NPO 10%		DI-2700	CPR-2700J	CD19F272K500	CCD-272	JF227	10TS-D27
C37	.02		BPD-02	DD-203	BYT601ZU203Z	CCD-203	B120	5HK-S20
C38	220 NPO 10%		DI-220	DD-221	JB601U221K	CCD-221	JF220	10TS-T22
C39	220 NPO 5%		CPR-220J	CD15F221J500	DM-19-221J	MS-322	MS-322	MS-322
C40	.01		BPD-01	DD-103	BYV102ZU103M	CCD-103	B110	5HK-S10
C41	.047 200V		P288N-047	DD-503	PM2847	4DP-3-473	PVC2147	2TM-S47
C42	150 NPO 10%		DI-150	DD-151		CCD-151	CP315	10TS-T15
C43	.001 NPO 10%		DI-1000	DD-102	JBS601YP102K	CCD-102	JF210	10TS-D10
C44	220 NPO 10%		DI-220	DD-221	JB601YP221K	CCD-221	JF220	10TS-T22
C45	.0024 NPO 5%		CPR-2400J	CD19F242J500	DM-19-242J	MS-224	MS-224	MS-224
C46	.0024 NPO 5%		CPR-2400J	CD19F242J500	DM-19-242J	MS-224	MS-224	MS-224
C47	47 NPO 10%		NPO-DI47	DTZ-47	CX601CG470K	CCTO-470	CN0447	10TCC-Q47
C48	680 NPO 10%		DI-680	DD-681	JB601YP681K	CCD-681	JF368	10TS-T68
C49	220 NPO 10%		DI-220	DD-221	JB601YP221K	CCD-221	JF220	10TS-T22
C50	.0033 NPO 5%	#42-10256-1	CPR-3300J	CD19F332J500	DM-19-332J	MS-233	MS-233	MS-233
C51	.01		BPD-01	DD-103	BYV102ZU103M	CCD-103	B110	5HK-S10
C52	.01		BPD-01	DD-103	BYV102ZU103M	CCD-103	B110	5HK-S10
C53	.01		BPD-01	DD-103	BYV102ZU103M	CCD-103	B110	5HK-S10
C54	.01		BPD-01	DD-103	BYV102ZU103M	CCD-103	B110	5HK-S10
C55	.01		BPD-01	DD-103	BYV102ZU103M	CCD-103	B110	5HK-S10
C56	AM RF 10-354pf AM Osc. 7-89pf FM RF FM Osc.							
C57	.022 100V 10%		DBE2S22		DMF1S22	IDP-1-223	PVC1122	2PS-S22
C58	.05 100V		TTD-05		HOV101ZV503Z		TA150	TH-S50
C59	.0033 NPO 10%		DI-3300		JBV601YP332K	CCD-332	JF233	10TS-D33
C60	.01		BPD-01	DD-103	BYV102ZU103M	CCD-103	B110	5HK-S10
C61	.022 200V 10%		DBE2S22		DMF1S22	IDP-1-223	PVC1122	2PS-S22
C62	.05 100V		TTD-05		HOV101ZV503Z		TA150	TH-S50
C63	.0033 NPO 10%		DI-3300		JBV601YP332K	CCD-332	JF233	10TS-D33
C64	.01		BPD-01	DD-103	BYV102ZU103M	CCD-103	B110	5HK-S10
C65	.01		BPD-01	DD-103	BYV102ZU103M	CCD-103	B110	5HK-S10
C66	.0022 NPO 10%		DI-2200	CF-222	JBX601YP222K	CCD-222	JF222	10TS-D22
C67	.01		BPD-01	DD-103	BYV102ZU103M	CCD-103	B110	5HK-S10
C68	.01		DI-10000			CCD-103	JF110	10TS-S10
C69	47 NPO 10%		NPO-DI47	DTZ-47	CX601CG470K	CCTO-470	CN0447	10TCC-Q47
C70	10 NPO 10%		NPO-DI10	DTZ-10	C2601CG100K	CCTO-100	CN0410	10TCC-Q10
C71	1 400V		P488N-1	DF-104	PM4P1	4DP-3-104	GEM401	4TM-P10
C72	.01		BPD-01	DD-103	BYV102ZU103M	CCD-103	B110	5HK-S10
C73	.0022 NPO 10%		DI-2200	CF-222	JBX601YP222K	CCD-222	JF222	10TS-D22
C74	.01		BPD-01	DD-103	BYV102ZU103M	CCD-103	B110	5HK-S10
C75	.01		DI-10000			CCD-103	JF110	10TS-S10
C76	47 NPO 10%		NPO-DI47	DTZ-47	CX601CG470K	CCTO-470	CN0447	10TCC-Q47
C77	10 NPO 10%		NPO-DI10	DTZ-10	C2601CG100K	CCTO-100	CN0410	10TCC-Q10
C78	1 400V		P488N-1	DF-104	PM4P1	4DP-3-104	GEM401	4TM-P10
C79	.01 1-4KV		DAC-27	DD16-103	ACT142ZU103P	16DP-3-103	UAC110	125L-S10
C80	.01 1-4KV		DAC-27	DD16-103	ACT142ZU103P	16DP-3-103	UAC110	125L-S10

\* Not normally in distributor's stock. Available thru distributor on order to manufacturer.  
# Sylvania Part Number.

## CONTROLS

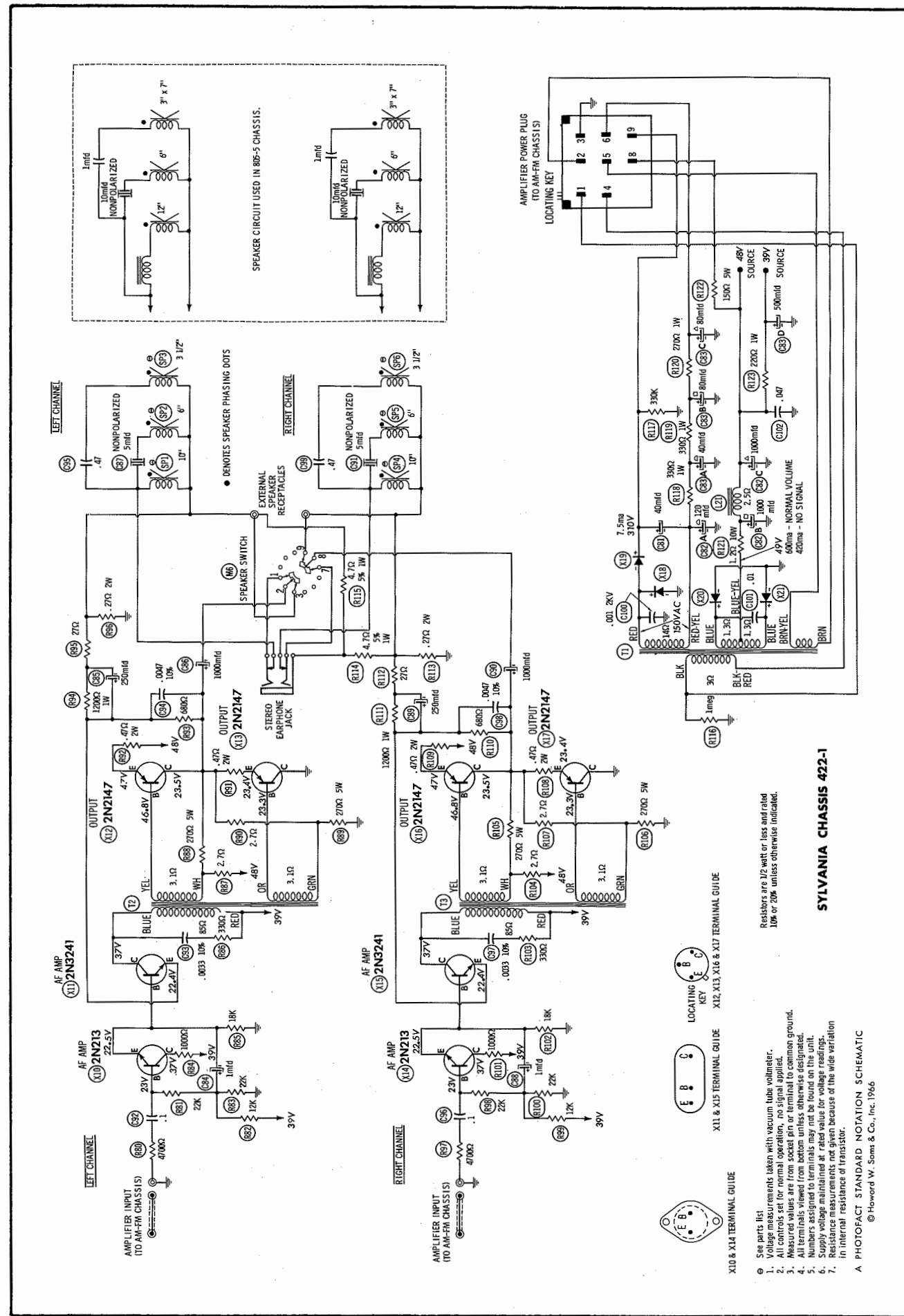
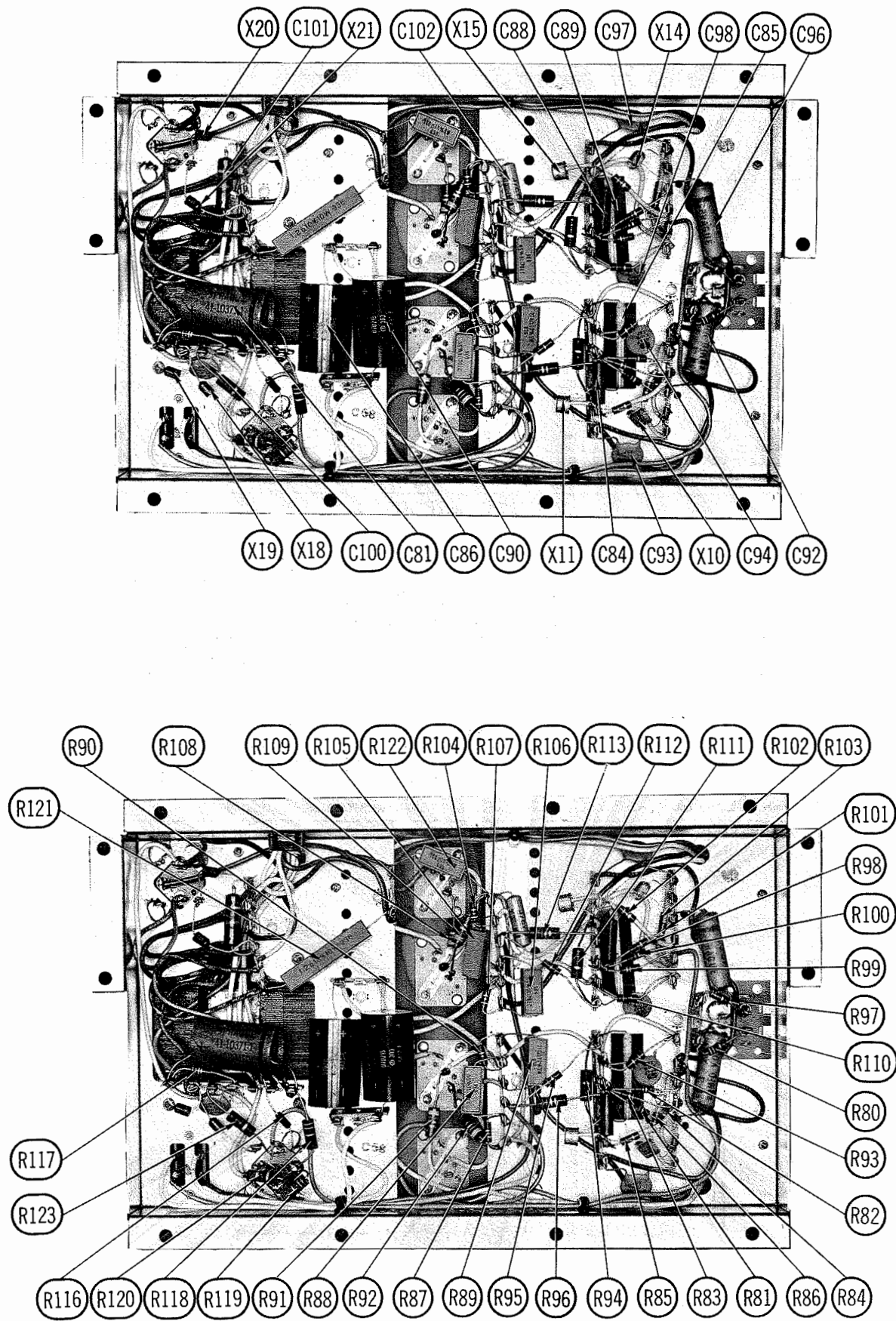
All wattages 1/2 watt, or less, unless otherwise listed.

ITEM No.	USE	RESISTANCE	REPLACEMENT DATA					
			SYLVANIA PART No.	CENTRALAB PART No.	CLAROSTAT PART No.	CTS-IRC PART No.	MALLORY PART No.	
R39A	Balance/Right	1.5meg.	37-96547-18	F2-2meg.			B13-138, B17-138, SK1, QCM or (BU1, CF27, CR45, SS1, SS7A, DC1)*	FA26A, RU26A, CSS500
B	Balance/Left	1.5meg.		R3-2meg, SF204, CPL-2				
R40A	Level/Switch	2meg.	37-14167-3					
B	Loudness/Right	600K Tap						
C	Loudness/Left	1.4meg Tap						
R41A	Bass/Right	2meg.	37-96547-17	F2-1meg.			B13-137, B13-137, SK1, QCM or (BU1, CF26, CR21, SS1, SS7A, DC1)*	FB16A, RU16A, CSS500
B	Bass/Left	1meg.		R2-1meg, SF204, CPL-2	DA-1meg-Z, R-1meg-Z, FS-3			
R42A	Treble/Right	1meg.	37-96547-13					
B	Treble/Left Switch	1meg.						

\* "SNAPTROL"      ① Part #37-14167-1 used in Early Production Models.

## COILS (RF-IF)

ITEM No.	USE	REPLACEMENT DATA				
		SYLVANIA PART No.	MEISSNER PART No.	MILLER PART No.	STANCOR PART No.	WORKMAN PART No.
L1	FM Antenna	50-10246-1				
L2	RF Choke (2.2uh)	50-10260-1	19-1002	BC-563	74F226AP	RTC-8517
L3	RF Choke (2.2uh)	50-10260-1	19-1002	BC-563	74F226AP	RTC-8517
L4	FM RF					



## AMP PARTS LIST AND DESCRIPTION

(When ordering parts, state Model, Part Number, and Description.)

### TRANSISTORS

ITEM No.	ORIG. TYPE	USE	REPLACEMENT DATA			NOTES
			DELCO PART No.	GENERAL ELECTRIC PART No.	RCA PART No.	
X10	2N213	AF Amp.	DS-46	GE-8	SK3010	NPN
X11	2N3241	AF Amp.	DS-46	GE-10		NPN
X12	2N2147	Output	DS-520	GE-3	SK3014	PNP ①
X13	2N2147	Output	DS-520	GE-3	SK3014	PNP ①
X14	2N213	AF Amp.	DS-46	GE-8	SK3010	NPN
X15	2N3241	AF Amp.	DS-46	GE-10		NPN
X16	2N2147	Output	DS-520	GE-3	SK3014	PNP ①
X17	2N2147	Output	DS-520	GE-3	SK3014	PNP ①

① When replacing, apply silicone grease to both sides of insulator. Tighten mounting screws securely. Check bias adjustment.

### POWER RECTIFIERS & SIGNAL DIODES

ITEM No.	MEASURED CURRENT	ORIGINAL Part or Type No.	RECTIFIERS				DIODES GENERAL ELECTRIC PART No.
			GENERAL ELECTRIC PART No.	MALLORY PART No.	RCA PART No.	SARKES TARZIAN PART No.	
X18	.0075A	13-10102-1	GE-504A	A300 or D300 ①	SK-3016 or SK-3017	40C or F-4 ②	
X19	.0075A	13-10102-1	GE-504A	A300 or D300 ①	SK-3016 or SK-3017	40C or F-4 ②	
X20	.6A	13-14627-1	GE-504A	A100 or D100 ③	SK-3016 or SK-3017	10C or F-1 ④	
X21	.6A	13-14627-1	GE-504A	A100 or D100 ③	SK-3016 or SK-3017	10C or F-1 ④	

① Single unit (VB500) may be used for X18 & X19.      ② Single unit (STFD40) may be used for X18 & X19.  
 ③ Single unit (CTP200) may be used for X20 & X21.      ④ Single unit (STFC10) may be used for X20 & X21.

### ELECTROLYTIC CAPACITORS

ITEM No.	RATING		REPLACEMENT DATA					
	CAP.	VOLT.	SYLVANIA PART No.	AEROVOX PART No.	CORNELL-DUBILIER PART No.	GENERAL ELECTRIC PART No.	MALLORY PART No.	SPRAGUE PART No.
C81	40	200	41-10371-1	PRS1580	BR40-250	QT1-14	TC58	TVA-1511
C82A	120	200	41-14715-1					TVLS-3455.1*
C82B	1000	75						
C82C	1000	75						
C83A	40	200	41-14714-1		DD0042			TVLS-4475.8*
C83B	80	200			BR500-50			
C83C	80	200						
C83D	500	50						
C84	1	25	41-10004-10	CRE600A	NLW1-50	MT1-1	TT25X1	TE-1200
C85	250	30	41-14954-6	PRS1380	BR250-50	QT1-29	TC50025	TVA-1312
C86	1000	30	41-14594-1	PRS1395	BR1000-50		TC50100	TVA-1222.1
C87	5	25	41-14304-3	NP-PRS7405	BRNP5-400	NPQT-1	TCN505	TVANS-1203.1*
C88	1	25	41-10004-10	CRE600A	NLW1-50	MT1-1	TT25X1	TE-1200
C89	250	30	41-14954-6	PRS1380	BR250-50	QT1-29	TC50025	TVA-1312
C90	1000	30	41-14594-1	PRS1380	BR1000-50		TC50100	
C91	5	25	41-14304-3	NP-PRS7405	BRNP5-400	NPQT-1	TCN505	

\* Not normally in distributor's stock. Available thru distributor on order to manufacturer.

### CAPACITORS

ITEM No.	RATING	REMARKS	REPLACEMENT DATA					
			AEROVOX PART No.	CENTRALAB PART No.	CORNELL-DUBILIER PART No.	ELMENC0 PART No.	MALLORY PART No.	SPRAGUE PART No.
C92	.1 200V		P288N-1	DF-104	PM2P1	2DP-3-104	PVC201	2TM-P10
C93	.0033 10%		DI-3300		JBV601YP332K	CCD-332	JF233	10TS-D33
C94	.0047 10%		DI-4700		JBT601YP472K	CCD-472	JF247	10TS-D47
C95	.47 200V		DBE2P47		DMF2P47	2DP-5-474	PVC2047	2PS-P47
C96	.1 200V		P288N-1	DF-104	PM2P1	2DP-3-104	PVC201	2TM-P10
C97	.0033 10%		DI-3300		JBV601YP332K	CCD-332	JF233	10TS-D33
C98	.0047 10%		DI-4700		JBT601YP472K	CCD-472	JF247	10TS-D47
C99	.47 200V		DBE2P47		DMF2P47	2DP-5-474	PVC2047	2PS-P47
C100	.001 2KV		HVD-30-1000	DD30-102	HVV202XP102M	3CCD-102	2HV210	30GA-D10
C101	.01 400V		DBE4S1	CPR-10000J	DMF4S1	4DP-1-103	PVC411	4PS-S10
C102	.047 100V		DBE2S47		DMF4S47	1DP-2-473	PVC1147	2PS-S47

### RESISTORS (Power and Special)

ITEM No.	RATING	REPLACEMENT DATA			ITEM No.	RATING	REPLACEMENT DATA		
		IRC PART No.	WORKMAN PART No.	REMARKS			IRC PART No.	WORKMAN PART No.	REMARKS
R88	270Ω 5W	PW5-250	5W-SQ-250	#187-0003	R106	270Ω 5W	PW5-250	5W-SQ-250	#187-0003
R89	270Ω 5W	PW5-250	5W-SQ-250	#187-0003	R108	.47Ω 2W	BWH-.47	WS-.47	#36-14764-4
R91	.47Ω 2W	BWH-.47	WS-.47	#36-14764-4	R109	.47Ω 2W	BWH-.47	WS-.47	#36-14764-4
R92	.47Ω 2W	BWH-.47	WS-.47	#36-14764-4	R113	.27Ω 2W	BWH-.27	WS-.27	#36-14764-5
R96	.27Ω 2W	BWH-.27	WS-.27	#36-14764-5	R121	1.2Ω 10W	13/4A-1.5	10W-SQ-2	#36-62455-3
R105	270Ω 5W	PW5-250	5W-SQ-250	#187-0003	R122	150Ω 5W	PW5-150	5W-SQ-150	#36-62454-53

# Sylvania Part Numbers.

### FILTER CHOKE

ITEM No.	RATINGS		REPLACEMENT DATA					NOTES
	CURRENT (Measured)	DC RES.	INDUCTANCE (0 CURRENT 1000~)	SYLVANIA PART No.	MERIT PART No.	STANCOR PART No.	THORDARSON PART No.	
L21		25Ω	.04H	56-14601-1				

## AMP PARTS LIST AND DESCRIPTION (CONTINUED)

### TRANSFORMER (POWER)

ITEM No.	RATING			REPLACEMENT DATA					NOTES
	PRI.	SEC. 1	SEC. 2	SYLVANIA PART No.	MERIT PART No.	STANCOR PART No.	THORDARSON PART No.	TRIAD PART No.	
T1	117V AC @ .7A AC	150V AC @ .047A DC	50V AC CT @ .2ADC	55-14661-1					
	SEC. 3	SEC. 4	SEC. 5						
	6.3V AC @ 3.1AAC								

### TRANSFORMER (DRIVER)

ITEM No.	TURNS RATIO			REPLACEMENT DATA					NOTES
	PRI.	SEC. 1	SEC. 2	SYLVANIA PART No.	MERIT PART No.	STANCOR PART No.	THORDARSON PART No.	TRIAD PART No.	
T2	3.5	1	1	56-14709-1					
T3	3.5	1	1	56-14709-1					

### SPEAKER

ITEM No.	TYPE	REPLACEMENT DATA		NOTES
		SYLVANIA PART No.	QUAM PART No.	
SP1	10" PM	6-8Ω	12-14896-1	10A31Z8
SP2	6" PM	6-8Ω	12-14922-1	6A15Z8
SP3	3 1/2" PM	3-4Ω	12-14963-1	3A07
SP4	10" PM	6-8Ω	12-14896-1	10A31Z8
SP5	6" PM	6-8Ω	12-14922-1	6A15Z8
SP6	3 1/2" PM	3-4Ω	12-14963-1	3A07
	12" PM	6-8Ω	12-14303-2	12A31PA
	3" x 7" Horn	6-8Ω	12-14329-1	

### MISCELLANEOUS

ITEM No.	PART NAME	SYLVANIA PART No.	NOTES
M6	Speaker Selector Sw.	33-14191-1	(Wafer.)

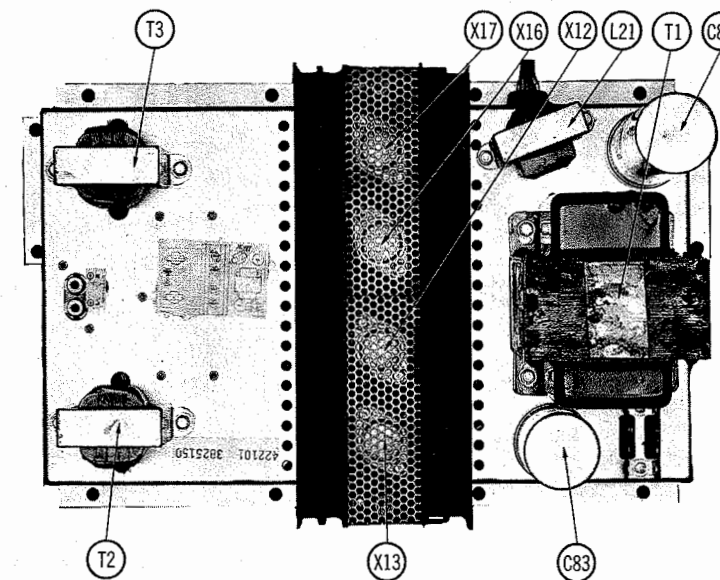
### CABINETS & CABINET PARTS

(When Ordering Specify Model, Chassis & Color)

ITEM	PART No.	ITEM	PART No.
Knob-Speaker Selector	74-14629-1	Knob-Insert (Speaker Selector)	74-14796-1
Knob-Control (Loudness)	74-14630-1	Knob-Insert (Treble, Bass, Balance)	74-14796-3
Knob-Control (Level)	74-14629-7	Knob-Insert (Tuning)	74-14796-4
Knob-Control (Treble, Bass, Balance)	74-14670-1		

### WIRING DATA

General-use Unshielded Hook-up Wire	Use BELDEN No. 8530 (Solid) Available in 12 Colors
Power Cord	8524 (Stranded) Available in 12 Colors 17106 (Plastic) or 17126 (Rubber) - 6 Ft. 17109 (Plastic) or 17129 (Rubber) - 9 Ft.
Power Cord (Interlock Type)	Use BELDEN No. 8874 (Rubber) or 8895 (Plastic)



AMP CHASSIS—TOP VIEW

371-1, 422-1, 805-4, 805-5  
SYLVANIA CHASSIS

FOLDER 10