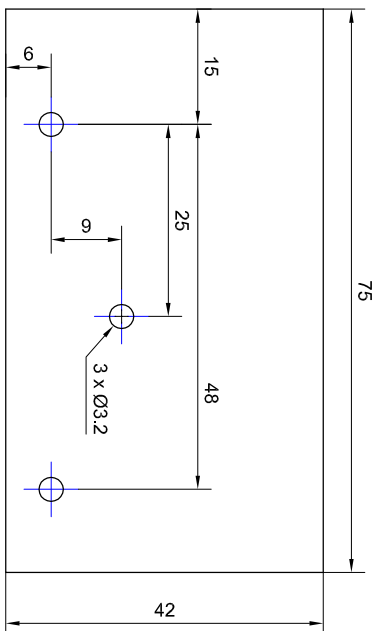
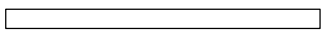
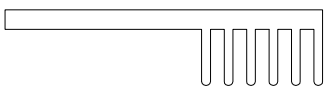
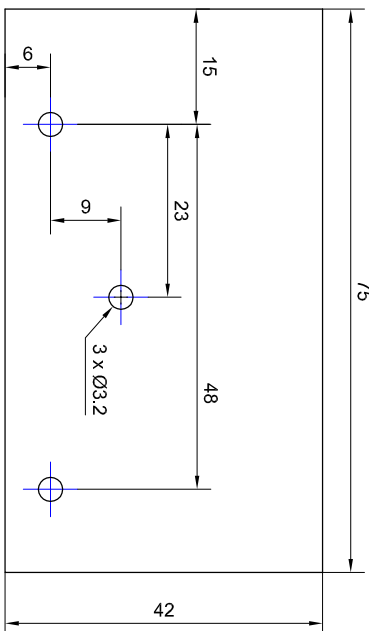
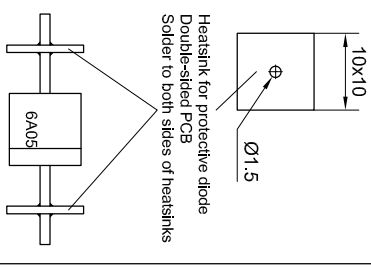


Nuts instead of studs, bolts M3x16



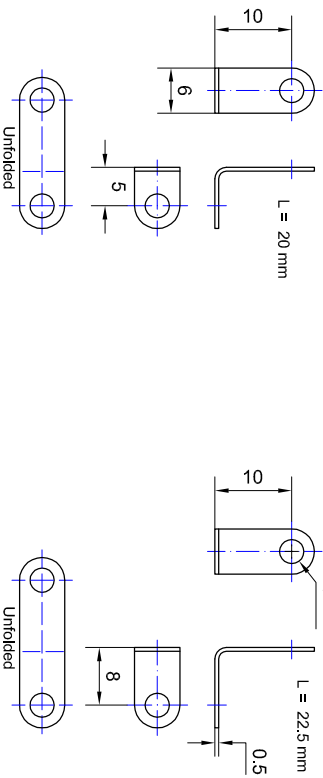
Heatsink for Basic Version, Front View

NOTE: Relative position of the holes is more important than other dimensions.



Heatsink for Upgraded Version, Front View

NOTE: Relative position of the holes is more important than other dimensions.



Heatsink stands, steel or aluminium plate

Print on cardboard 160g/m², print to ACTUAL SIZE (no fit, no shrink, no scaling)
Test Bench Power Supply - Sections

08. 07. 2017