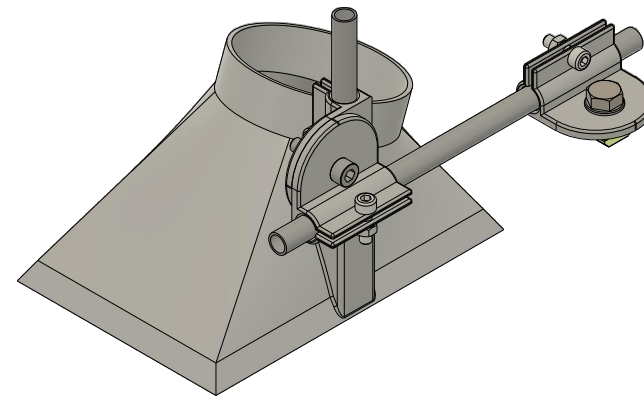
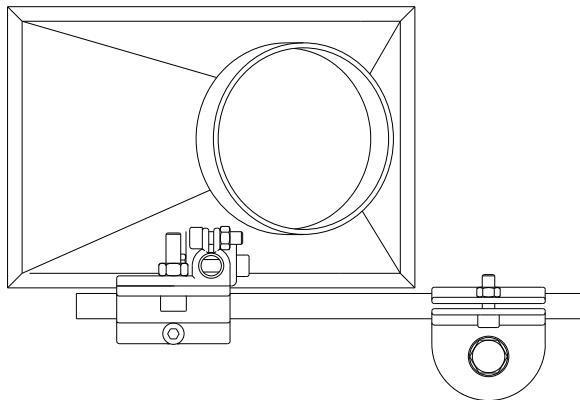
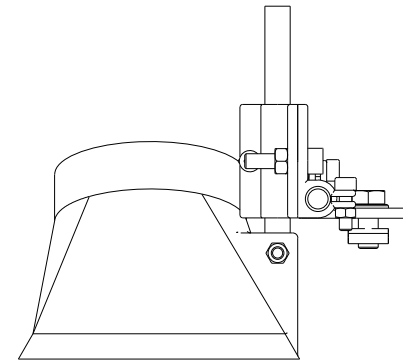
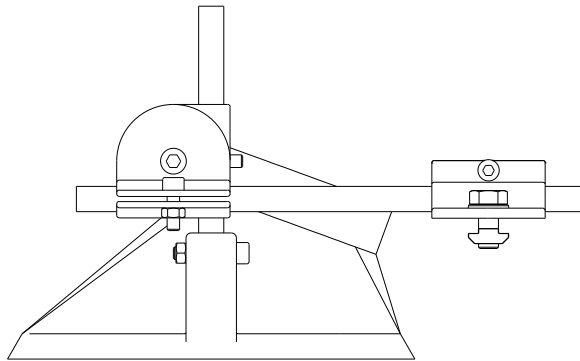
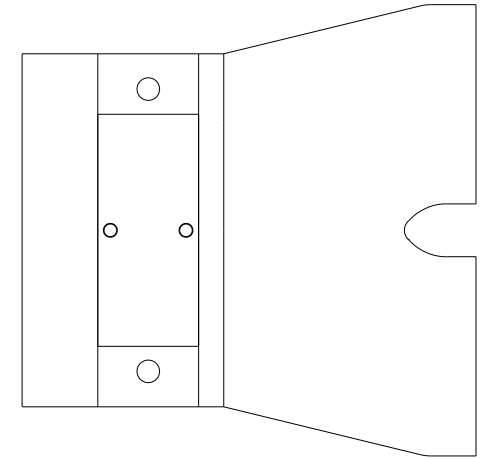
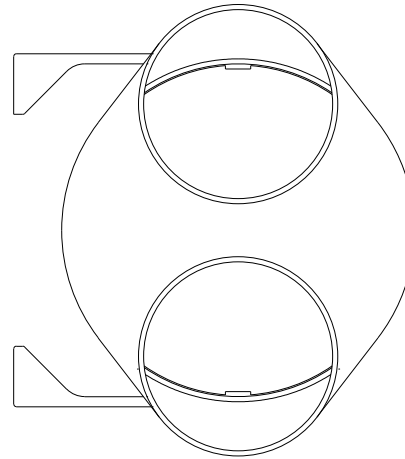
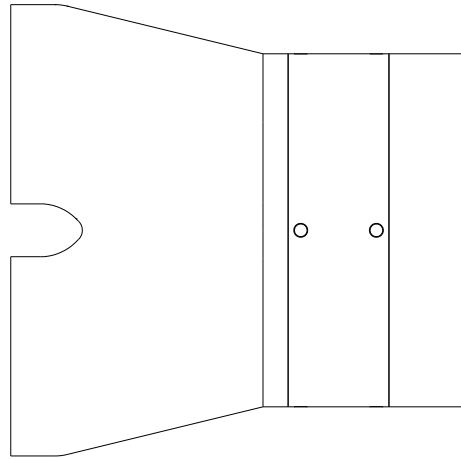


Except the 10 mm steel pipes and the screws, all the parts part of the ventilation are printed.

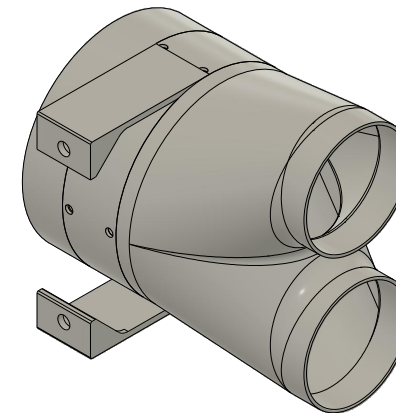
| | | | | |
|-------|---------------------|--|-----------------|---------------------|
| Dept. | Technical reference | Created by Manuel Maeder 13.10.2020 | Approved by | |
| | | Document type | Document status | |
| | | Title ventilation ventilation_extruder | DWG No. | |
| | | Rev. | Date of issue | Sheet 1/3 |



| | | | | |
|-------|---------------------|---|-----------------|---------------------|
| Dept. | Technical reference | Created by Manuel Maeder 13.10.2020 | Approved by | |
| | | Document type | Document status | |
| | | Title ventilation ventilation_mould | DWG No. | |
| | | Rev. | Date of issue | Sheet 2/3 |



Consisting of 3 printed parts, this connector combines the two channels for ventilation to one. We use a quite strong ventilation for really getting all the fumes. From one side there are the two channels connected and from the other side a 150 mm tube.



| | | | | |
|-------|---------------------|---|-----------------|---------------------|
| Dept. | Technical reference | Created by Manuel Maeder 13.10.2020 | Approved by | |
| | | Document type | Document status | |
| | | Title ventilation connector_ventilation | DWG No. | |
| | | Rev. | Date of issue | Sheet 3/3 |