

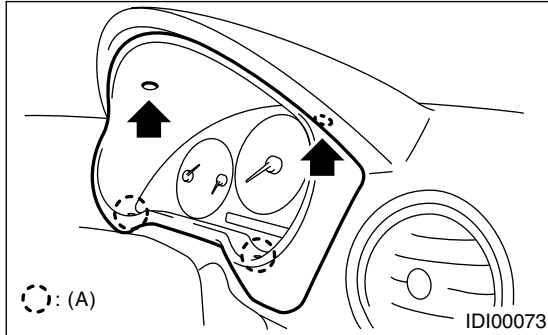
COMBINATION METER ASSEMBLY

INSTRUMENTATION/DRIVER INFO

3. Combination Meter Assembly

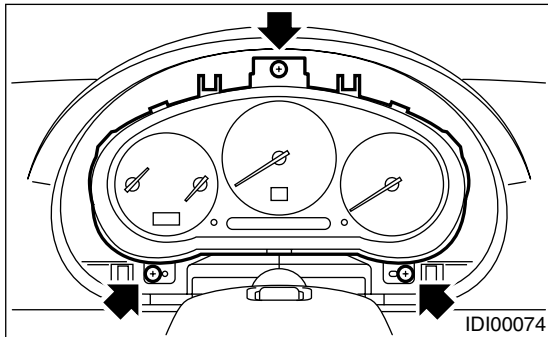
A: REMOVAL

- 1) Disconnect the ground cable from battery.
- 2) Set the tilt steering at lowest position.
- 3) Remove the screws and detach the meter visor.



(A) Hook

- 4) Remove the screws of combination meter and pull out the meter toward you.



- 5) Disconnect the connector in the upper area of combination meter to remove the meter.

CAUTION:

- Be careful not to damage the meter or instrument panel.
- Pay particular attention to avoid damaging the meter glass.

B: INSTALLATION

Install in the reverse order of removal.

CAUTION:

- Make sure that electrical connector is connected securely.
- Make sure that each meter operates normally.

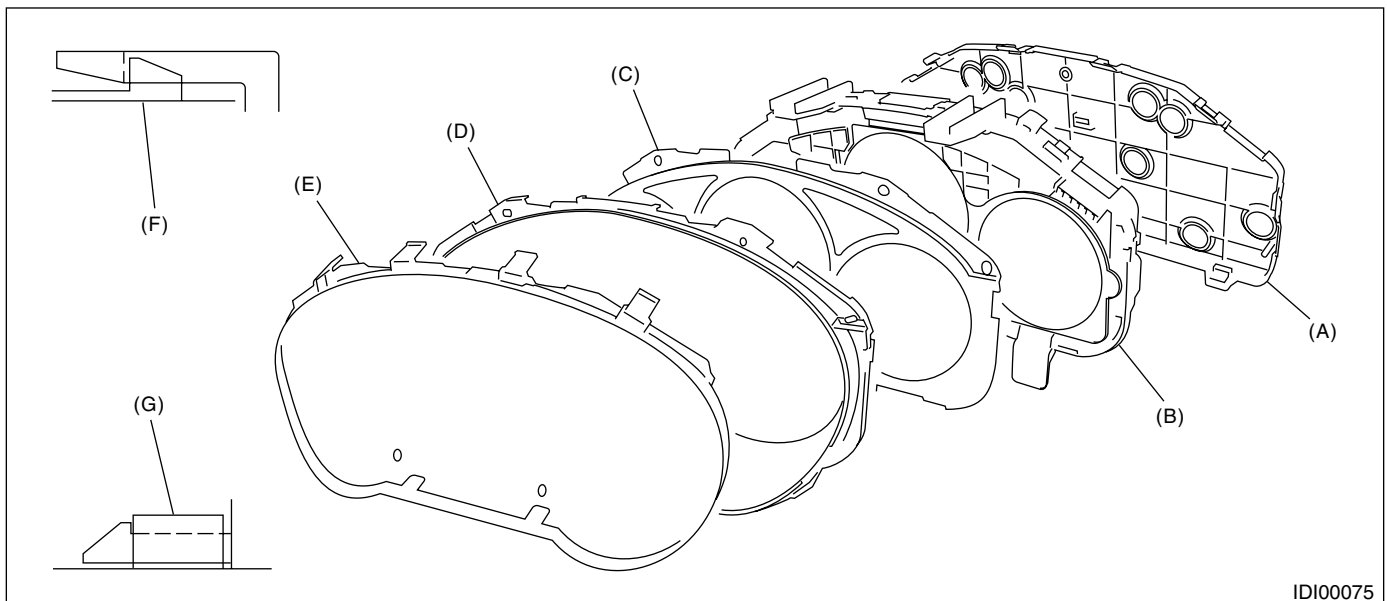
C: DISASSEMBLY

1. EXCEPT STi MODEL

CAUTION:

Use gloves to avoid damage and getting fingerprints on the glass surface and meter surfaces.

- 1) Disengage the claw (F) to remove the case (B) from back cover (A).
- 2) Disengage the claw (G) to remove the meter glass (E), reflector (D), and window plate (C) from inner case.



COMBINATION METER ASSEMBLY

INSTRUMENTATION/DRIVER INFO

3) Pull up the claw (A) in portion (B) of combination meter printed circuit (C) with combination pliers. Push out the speedometer and tachometer assembly (D) and fuel gauge and water temperature gauge assembly (E) using hole (F).

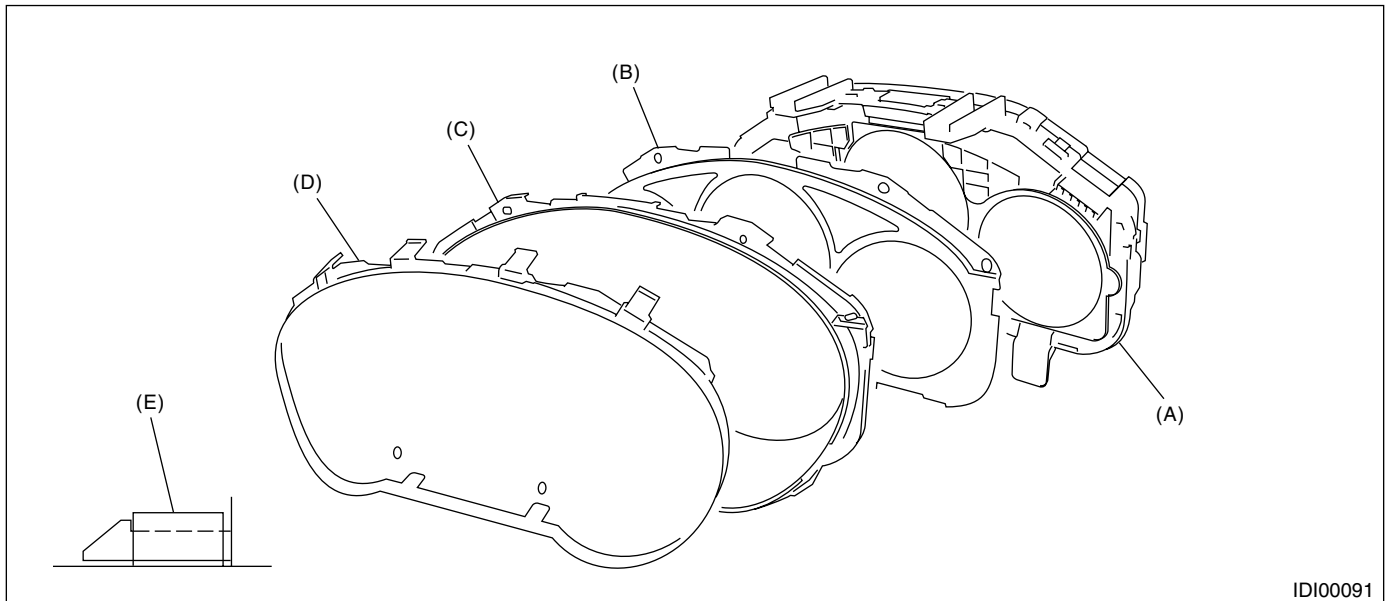
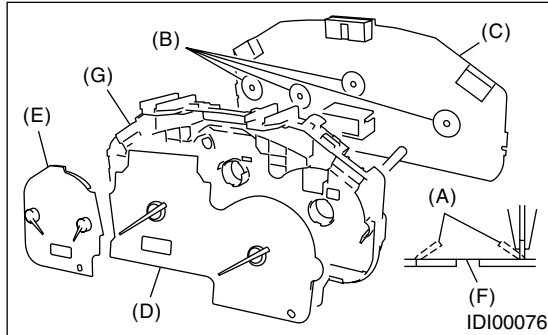
4) Pull up the claw in center of combination meter printed circuit (C), and remove the printed circuit from case (G).

2. STi MODEL

CAUTION:

Use gloves to avoid damage and getting fingerprints on the glass surface and meter surfaces.

Disengage the claw (E) to remove the meter glass (D), reflector (C), and window plate (B) from meter main assembly (A).

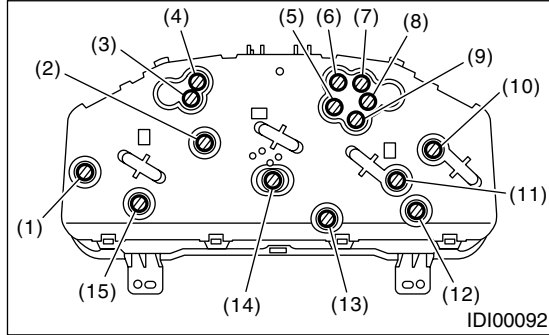


COMBINATION METER ASSEMBLY

INSTRUMENTATION/DRIVER INFO

3. BULB REPLACEMENT

• EXCEPT STi MODEL



- (1) Tachometer (Non-turbo model) or speedometer (Turbo model)
- (2) Speedometer and tachometer
- (3) Turn signal indicator light (RH)
- (4) HI-beam indicator light
- (5) Speedometer (Non-turbo model) or tachometer (Turbo model)
- (6) Cruise set indicator light
- (7) Cruise indicator light
- (8) Turn signal indicator light (LH)
- (9) Brake fluid and parking brake warning light
- (10) Fuel gauge
- (11) Temperature gauge
- (12) LCD (Outside temperature indicator)
- (13) Charge warning light
- (14) LCD (Odometer and tripmeter: non-turbo model)
- (15) LCD (Odometer and tripmeter: turbo model)

• STi MODEL

Replace the meter main assembly of STi model if it does not function properly, because the warning light and indicator light are made from LED.

D: ASSEMBLY

Assemble in the reverse order of disassembly.