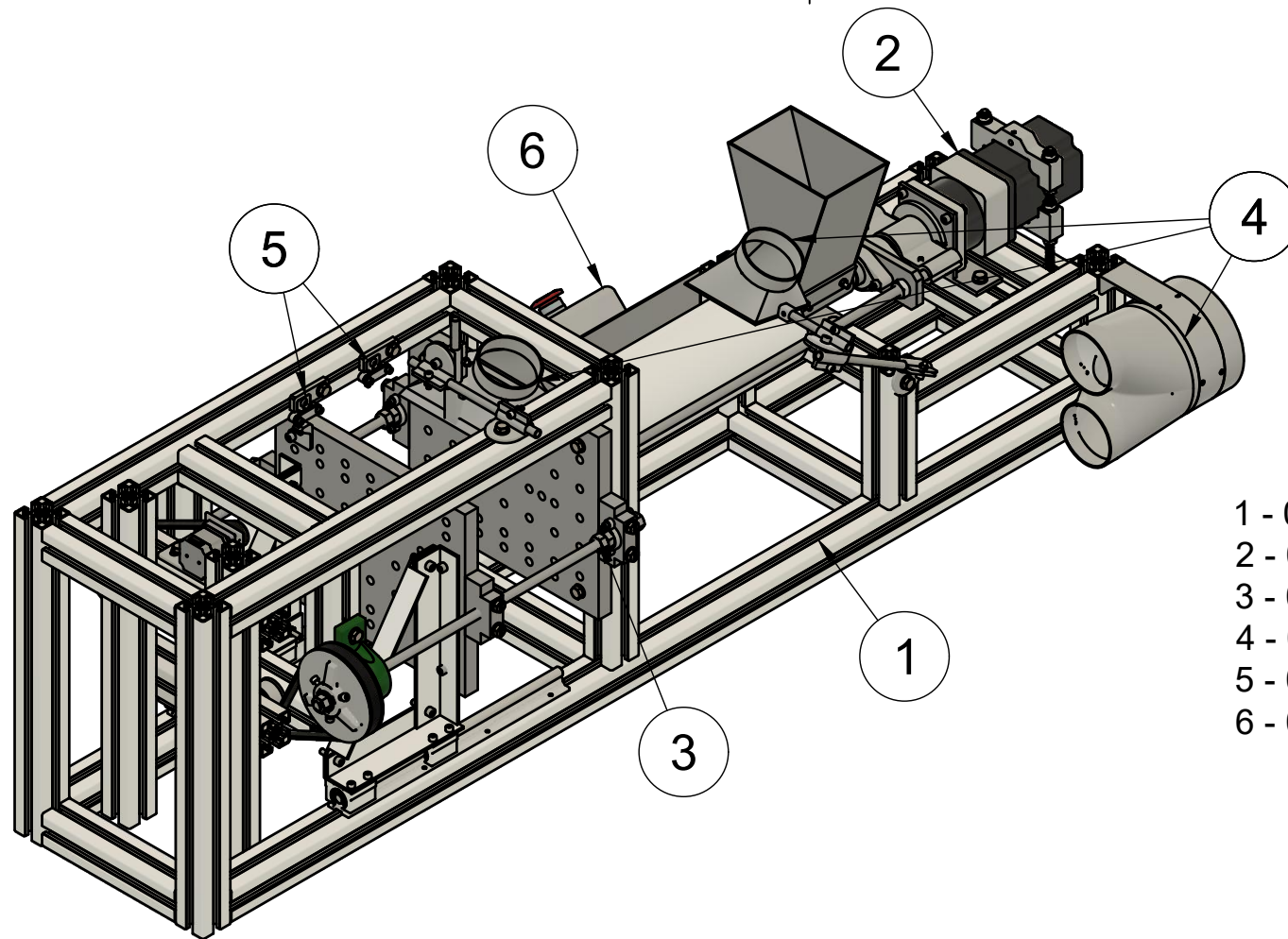


Dept.	Technical reference	Created by Manuel Maeder 22.10.2020	Approved by	
		Document type	Document status	
		Title smart_injector	DWG No.	
		Rev.	Date of issue	Sheet 1/2



- 1 - 01_frame
- 2 - 02_extruder
- 3 - 03_clamp_mechanism
- 4 - 04_ventilation
- 5 - 05_mounting_limitswitch
- 6 - 06_user_panel

Dept.	Technical reference	Created by Manuel Maeder 22.10.2020	Approved by	
		Document type	Document status	
		Title smart_injector	DWG No.	
		Rev.	Date of issue	Sheet 2/2